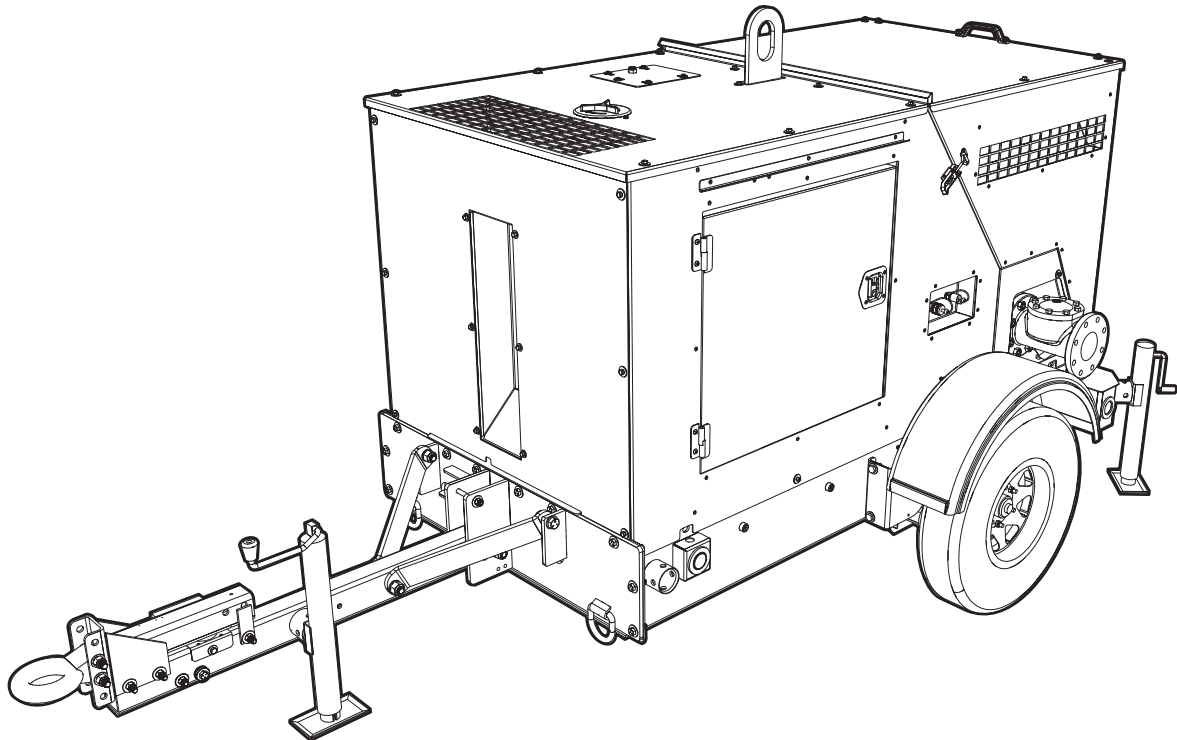


# ***MTP4DZD-URI***

## ***Trash Pump Parts Manual***



02556

MODEL NUMBER: \_\_\_\_\_

SERIAL NUMBER: \_\_\_\_\_

DATE PURCHASED: \_\_\_\_\_

***SAVE THIS MANUAL FOR FUTURE REFERENCE***

 **WARNING**

**CANCER AND REPRODUCTIVE HARM**

[www.P65Warnings.ca.gov](http://www.P65Warnings.ca.gov).

(000393a)

 **WARNING**

Breathing diesel engine exhaust exposes you to chemicals known to the State of California to cause cancer and birth defects or other reproductive harm.

- Always start and operate the engine in a well-ventilated area.
- If in an enclosed area, vent the exhaust to the outside.
- Do not modify or tamper with the exhaust system.
- Do not idle the engine except as necessary.

For more information go to

[www.P65Warnings.ca.gov/diesel](http://www.P65Warnings.ca.gov/diesel).

(000394)

# Introduction

This parts manual was prepared based on the information available at the time of publication and is subject to change without notice. Generac Mobile Products reserves the right to change parts at any time. To check whether a revised parts manual is available, contact Generac Mobile Products.

DO NOT MODIFY or use this equipment for any application other than which it was designed for. To keep your equipment fully operational, it is suggested you maintain a stock of commonly used maintenance or service parts. A recommended spare parts list can be found in the back of this manual. To order service parts, please go to [www.generacmobileproducts.com](http://www.generacmobileproducts.com) or call Generac Mobile Products.



## **WARNING**

Consult Manual. Read and understand manual completely before using product. Failure to completely understand manual and product could result in death or serious injury. (000100a)

---

## **WARNING**

Environmental Hazard. Always recycle batteries at an official recycling center in accordance with all local laws and regulations. Failure to do so could result in environmental damage, death, or serious injury. (000228)

---

## **GENERAC MOBILE PRODUCTS LLC**

**215 Power Drive • Berlin, WI 54923 U.S.A.**

**Phone: 920-361-4442**

**FAX: 920-361-4416**

**Toll Free: 1-800-926-9768**

**[www.generacmobileproducts.com](http://www.generacmobileproducts.com)**

**For technical or parts QUESTIONS, contact Generac Mobile Products Technical Service at 1-800-926-9768.**

Engine Make: \_\_\_\_\_

Engine Serial Number: \_\_\_\_\_

Engine Model Number: \_\_\_\_\_

This Page Intentionally Left Blank

# Table of Contents

Introduction .....	iii
Parts Manual Instructions .....	1
Unit Decals - Left Side .....	2
Unit Decals - Right Side .....	4
Pump Hood - Rear Panel .....	6
Pump Hood - Side Panels .....	8
Pump Hood Assembly .....	10
Engine Enclosure (3 of 3) .....	12
Engine Enclosure (2 of 3) .....	14
Engine Enclosure (1 of 3) .....	16
Quick Disconnect Box .....	18
Control Panel Assembly .....	20
Air Filter Assembly .....	22
Exhaust System Assembly .....	24
Cooling System Assembly .....	26
Engine and Pump to Trailer Assembly .....	28
Engine Assembly - Left Side .....	30
Engine Assembly - Right Side .....	32
External Pump Assembly .....	34
Bearing Frame Assembly .....	36
Priming Chamber Assembly .....	38
Internal Pump Assembly .....	40
Lift Support Assembly .....	42
Fuel Tank / Trailer Assembly (3 of 3) .....	44
Fuel Tank / Trailer Assembly (2 of 3) .....	46
Fuel Tank / Trailer Assembly (1 of 3) .....	48
Trailer Supports .....	50
Recommended Spare Parts - Engine and Service Kits .....	52
Recommended Spare Parts - Electrical and Trailer .....	54

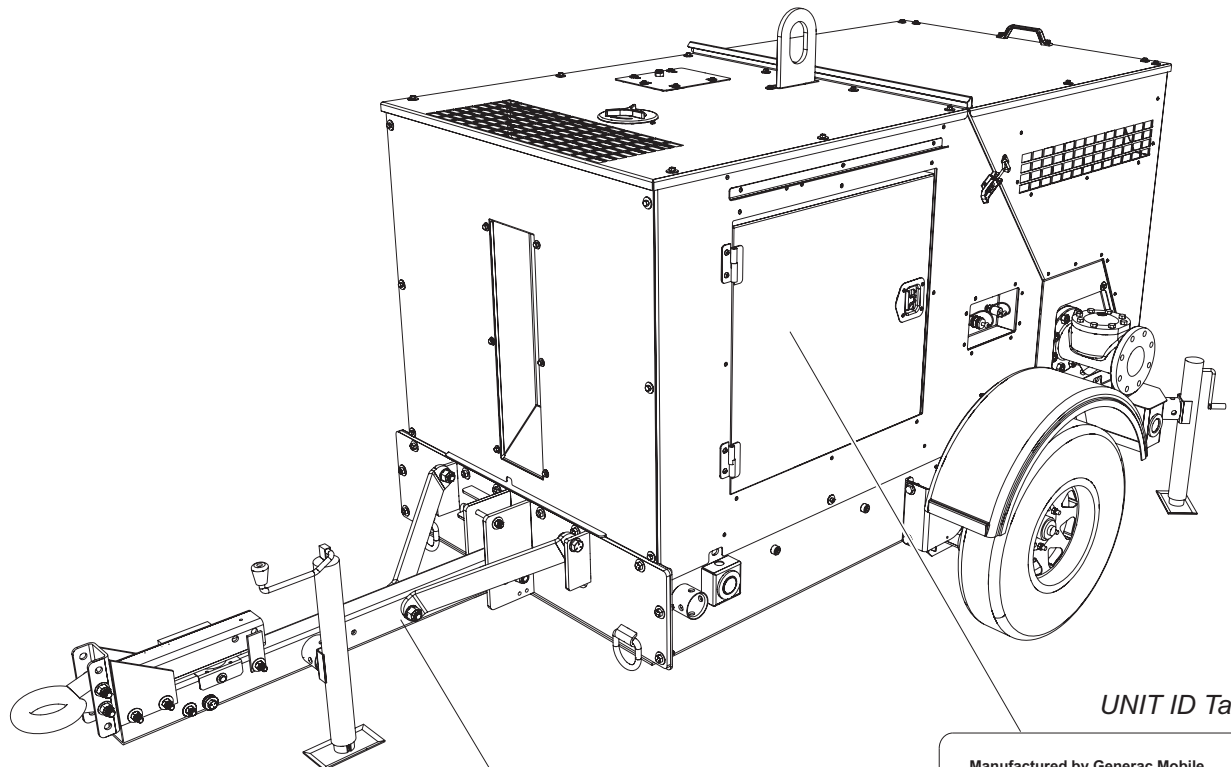
This Page Intentionally Left Blank

# Parts Manual Instructions

Product illustrations are only representations. Products supplied may vary from the illustrations in this parts manual. Parts not shown in the illustration are indicated by a double dash (--) in the item column.

Please be prepared to provide the following information when ordering replacement parts: model number, serial number (on unit serial tag), part number, purchase order number (if applicable), shipping address, shipping method.

Refer to the illustration below to locate the unit ID tag and Vehicle Identification Number (VIN) tag on the unit. Important information, such as the unit serial number, model number, VIN and tire loading information are found on these tags. Record the information from these tags so it is available if the tags are lost or damaged. When ordering parts or requesting assistance, you may be asked to provide this information.



VIN Tag

MANUFACTURED BY/FABRIQUE PAR: Generac Mobile Products, LLC		DATE: 00/0000	
GVWR/PNEV: 000KG (0000LBS)		COLD INF. PRESS./ PRESS. DE	
GAWR / PNBE	TIRE / PNEU	RIM / JANTE	GONF A FROID - KPA(PSI/LPC) SGL / DUAL
EACH AXLE			
<small>THIS VEHICLE CONFORMS TO ALL APPLICABLE STANDARDS PRESCRIBED UNDER THE U.S. FEDERAL MOTOR VEHICLE SAFETY STANDARDS(FMVSS) AND CANADIAN MOTOR VEHICLE SAFETY REGULATIONS IN EFFECT ON THE DATE OF MANUFACTURE. CE VEHICULE EST CONFORME A TOUTES LES NORMES QUI SONT APPLICABLES EN VERTU DU REGLEMENT SUR LA SECURITE DES VEHICULES AUTOMOBILES DU CANADA EN VIGUEUR A LA DATE DE FABRICATION.</small>			
V.I.N./N.I.V.: 000000000000000000		MODEL: <b>XXX000</b>	
		TYPE: <b>TRAILER</b>	
		<b>TIRE AND LOADING INFORMATION</b> <b>RENSEIGNEMENTS SUR LES PNEUS ET LE CHARGEMENT</b> <small>The weight of cargo should never exceed 0000KG (0000LBS) Le poids du chargement ne doit jamais dépasser 0000KG (0000LBS)</small>	
		<small>SEE OWNER'S MANUAL FOR ADDITIONAL INFORMATION VOIR LE MANUEL DE L'USAGER POUR PLUS DE RENSEIGNEMENTS</small>	

UNIT ID Tag

Manufactured by Generac Mobile Products, LLC	
(920)361-4442 (800)926-9768	
MODEL	SERIAL NUMBER
<input type="text"/>	<input type="text"/>
MANUFACTURING CODE	
<input type="text"/>	
WEIGHT	COUNTRY OF ORIGIN
<input type="text"/>	<input type="text"/>

Located Behind Control Panel

02557

# UNIT DECALS - LEFT SIDE

1

<p><b>PUMP OPERATION</b></p> <ol style="list-style-type: none"> <li>Level unit with all three jacks.</li> <li>Attach intake and outlet hoses/piping.</li> <li>Emergency stop off. Engine start switch to "Start".</li> <li>Allow pump to prime.</li> <li>Allow pump to cool if overheated.</li> <li>If pressurized, vent pump slowly at casting drain.</li> <li>Read operator's manual before restarting.</li> </ol> <p><b>FUNCTIONNEMENT DE LA POMPE</b></p> <ol style="list-style-type: none"> <li>Nivele la unité avec les trois dispositifs nivelateurs.</li> <li>Connecte les mangroves/hoses de entrée y salida.</li> <li>Desconnecte el freno de emergencia. Coloque el interruptor de arranque del motor en "Start" (arranque).</li> <li>Deje que la bomba se cobe.</li> <li>Permita que la bomba se enfríe si está sobrecalentada.</li> <li>Si está presurizada, ventíle lentamente la bomba usando el escape de la cubeta.</li> <li>Lea el manual del operador antes de volver a ponerla en marcha.</li> </ol>	<p><b>1. Mettre la pompe à niveau avec les trois écrous.</b></p> <p><b>2. Attacher les tuyaux/canalisations d'arrivée d'écoulement.</b></p> <p><b>3. Désactiver l'arrêt d'urgence. Mettre l'interrupteur de démarrage du moteur sur "Start" (démarrage).</b></p> <p><b>4. Laisser la pompe s'amorcer.</b></p> <p><b>5. Laisser la pompe refroidir si elle est surchauffée.</b></p> <p><b>6. Si le liquide est pressurisé, vider lentement la pompe par la vidange du carter.</b></p> <p><b>7. Lire le manuel d'utilisation avant la remise en service.</b></p>
--	--

1

**⚠ WARNING**

This pump is designed for use only with water containing suspended solids. Do not operate in an explosive environment. Do not attempt use with volatile, corrosive or flammable materials or liquids. Damage to the pump or severe bodily damage may occur.

**⚠ WARNING**

Esta bomba está diseñada para usarse solo con agua que contenga sólidos en suspensión. No la haga funcionar en un ambiente explosivo. No intente usarla con materiales o líquidos volátiles, corrosivos o inflamables. Puede causar daños a la bomba o lesiones corporales graves.

**⚠ ADVERTENCIA**

Esta bomba está diseñada para usarse solo con agua que contenga sólidos en suspensión. No la haga funcionar en un ambiente explosivo. No intente usarla con materiales o líquidos volátiles, corrosivos o inflamables. Puede causar daños a la bomba o lesiones corporales graves.

**⚠ AVERTISSEMENT**

Cette pompe est conçue pour être utilisée uniquement avec de l'eau contenant des matières solides en suspension. Ne pas faire fonctionner la pompe dans un environnement explosif. Ne pas l'utiliser avec des matériaux ou des liquides volatils, corrosifs ou inflammables. La pompe risque d'être endommagée et de provoquer des blessures graves.

1

**⚠ WARNING**

**⚠ WARNING**

**⚠ ADVERTENCIA**

**⚠ AVERTISSEMENT**

1

**FLOAT SWITCH PORT**

1

**PANEL LIGHT SWITCH**

1

**⚠ DANGER**

**⚠ GEFAHR**

**⚠ PELIGRO**

**⚠ DANGER**

**DIESEL**

**ULTRA LOW SULFUR FUEL ONLY**

**S≤15 mg/kg**

**⚠ WARNING**

Pump can automatically start which can cause serious injury. Disconnect battery before service.

**⚠ WARNING**

Pompe peut automatiquement s'amorcer et causer de graves blessures. Déconnecter la batterie avant toute maintenance.

**⚠ ADVERTENCIA**

El motor puede arrancar automáticamente, lo que puede causar lesiones graves. Desconecte la batería antes de hacer mantenimiento.

**⚠ AVERTISSEMENT**

La pompe peut démarrer automatiquement, ce qui peut entraîner des blessures graves. Déconnectez la batterie avant de faire l'entretien.

Operator's manual must be stored on machine. Replacement operator's manual can be ordered through your local Magnum distributor.

Das Benutzerhandbuch muss an der Maschine aufbewahrt werden. Zur Bestellung von Ersatzhandbüchern wenden Sie sich bitte an Ihren Magnum-Händler.

El manual del operador debe guardarse en la máquina. Puede solicitar un manual del operador de reemplazo a través de su distribuidor local de Magnum.

Ranger le manuel de l'utilisateur avec l'appareil. Un manuel de réchange peut être commandé auprès de votre distributeur Magnum local.

**TOWING INSTRUCTIONS**

- Read operator's manual.
- Use hitch rated for "gross vehicle weight rating" (GVWR) on tow vehicle.
- Securely attach trailer to tow vehicle.
- Attach safety chains using a cross pattern.
- Adjust brakes/brake to vehicle.
- Check trailer lights.

**ABSCHLEPPINSTRUKTIONEN**

- Benutzerhandbuch lesen.
- Anhängersattelzug verwenden, die der Gesamtbruttogewichtsklasse entspricht.
- Sicherheitsketten an Kupplung befestigen.
- Sicherheitsketten kreuzweise anbringen.
- Anhängereichen checken.

**INSTRUCCIONES DE REMOLQUE**

- Lea el manual del operario.
- Utilice un equipo correctamente clasificado para la "clase de peso bruto" del remolque de remolque.
- Asegure de acoplar correctamente el remolque al vehículo de remolque.
- Fije en cruz las cadenas de seguridad.
- Verifique el estado de mantenimiento de los frenos.
- Compruebe las luces del remolque.

**INSTRUCCIONES DE REMORQUAGE**

- Lire le notice d'emploi.
- Utiliser un équipement correctement classifié pour la classe de poids brut de véhicule de remorque.
- Attacher les chaînes de sécurité correctement au véhicule tracteur.
- Attacher les chaînes de sécurité en utilisant une méthode en croix.
- Vérifier la chaîne de serrageage au véhicule.
- Vérifier les lampes de la remorque.

1

1

1

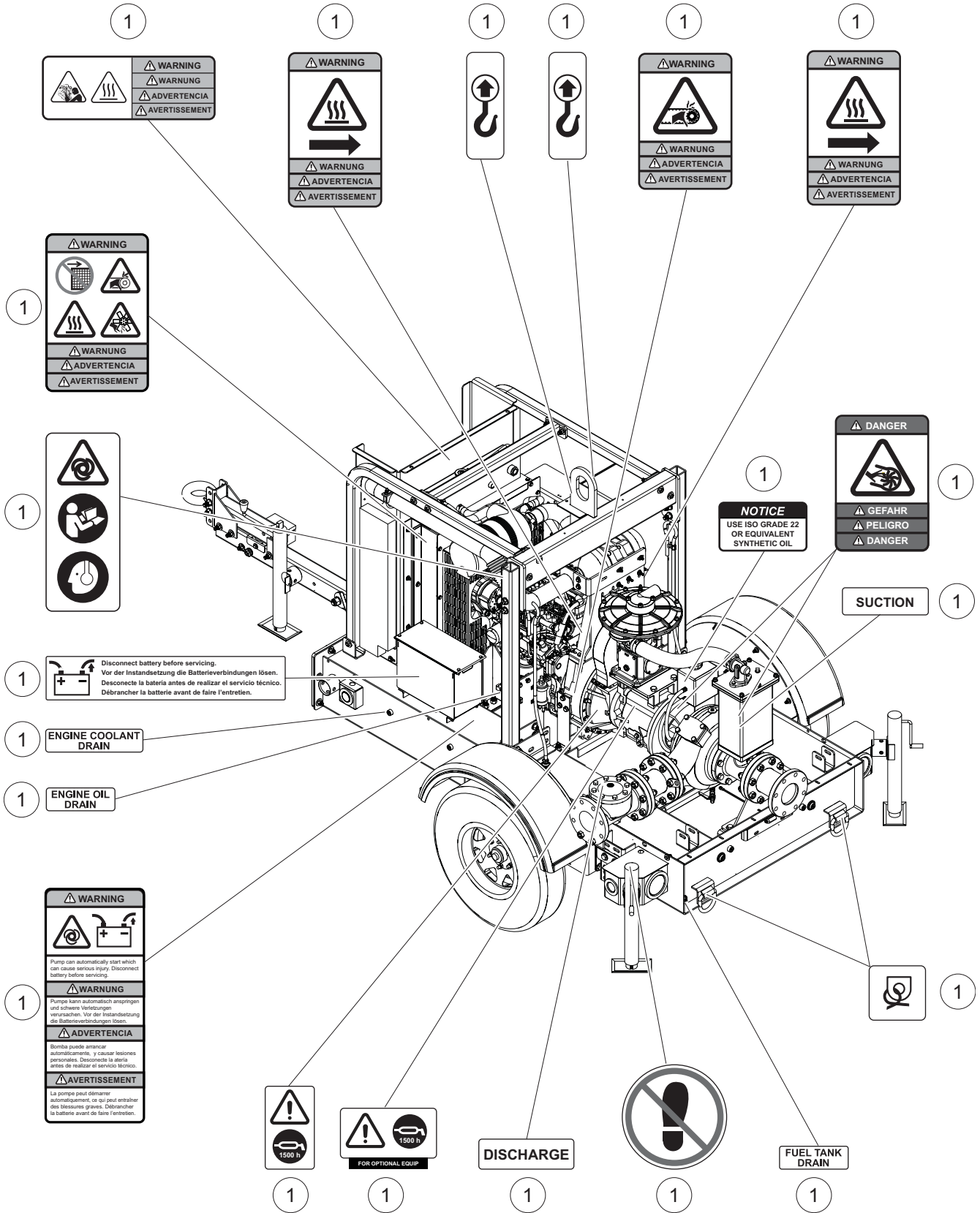


## UNIT DECALS - LEFT SIDE

---

Item	Part No.	Qty	Description	Notes
1	54343	1	Decal, closed safety	

# UNIT DECALS - RIGHT SIDE



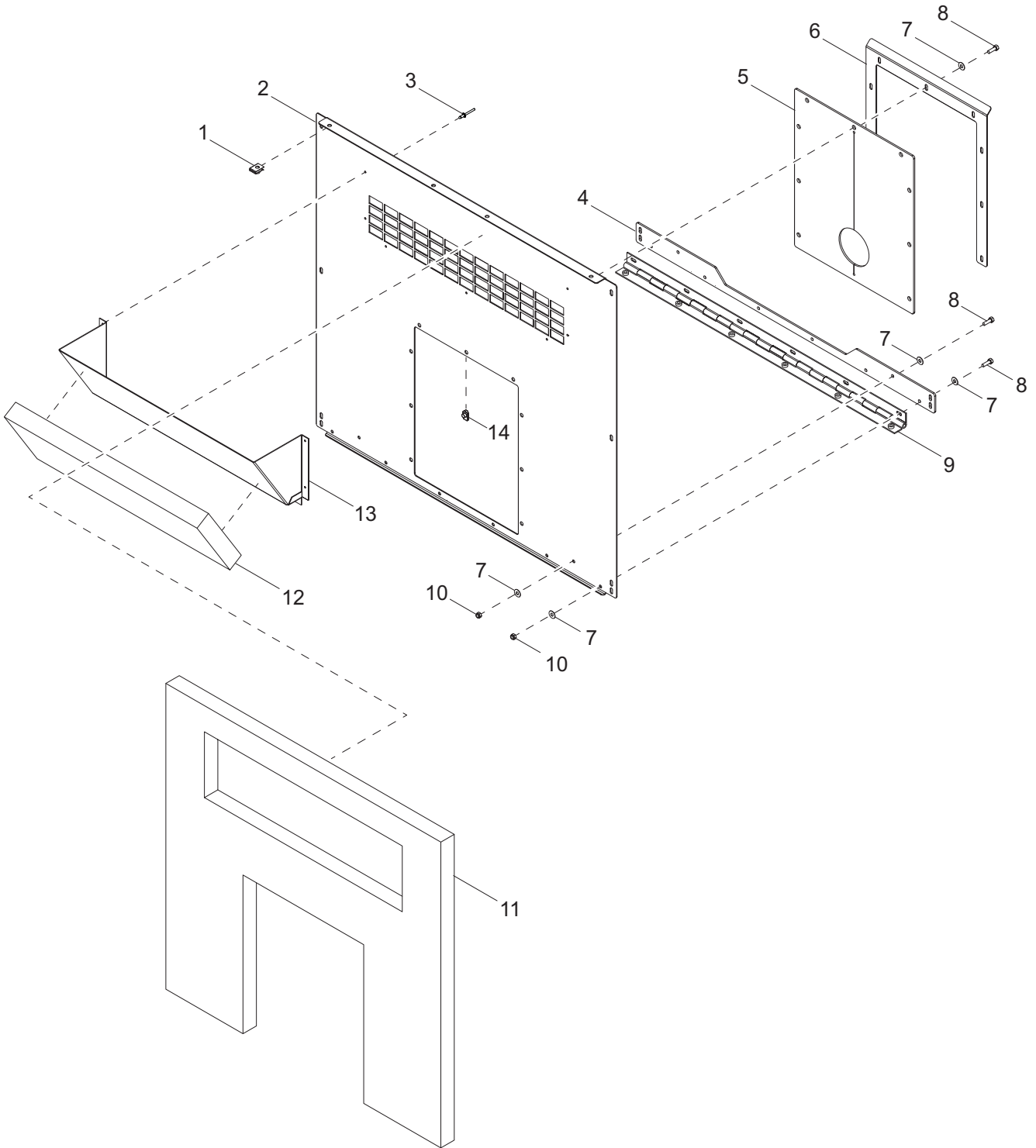
02559

## UNIT DECALS - RIGHT SIDE

---

Item	Part No.	Qty	Description	Notes
1	54343	1	Decal, closed safety	

# PUMP HOOD - REAR PANEL

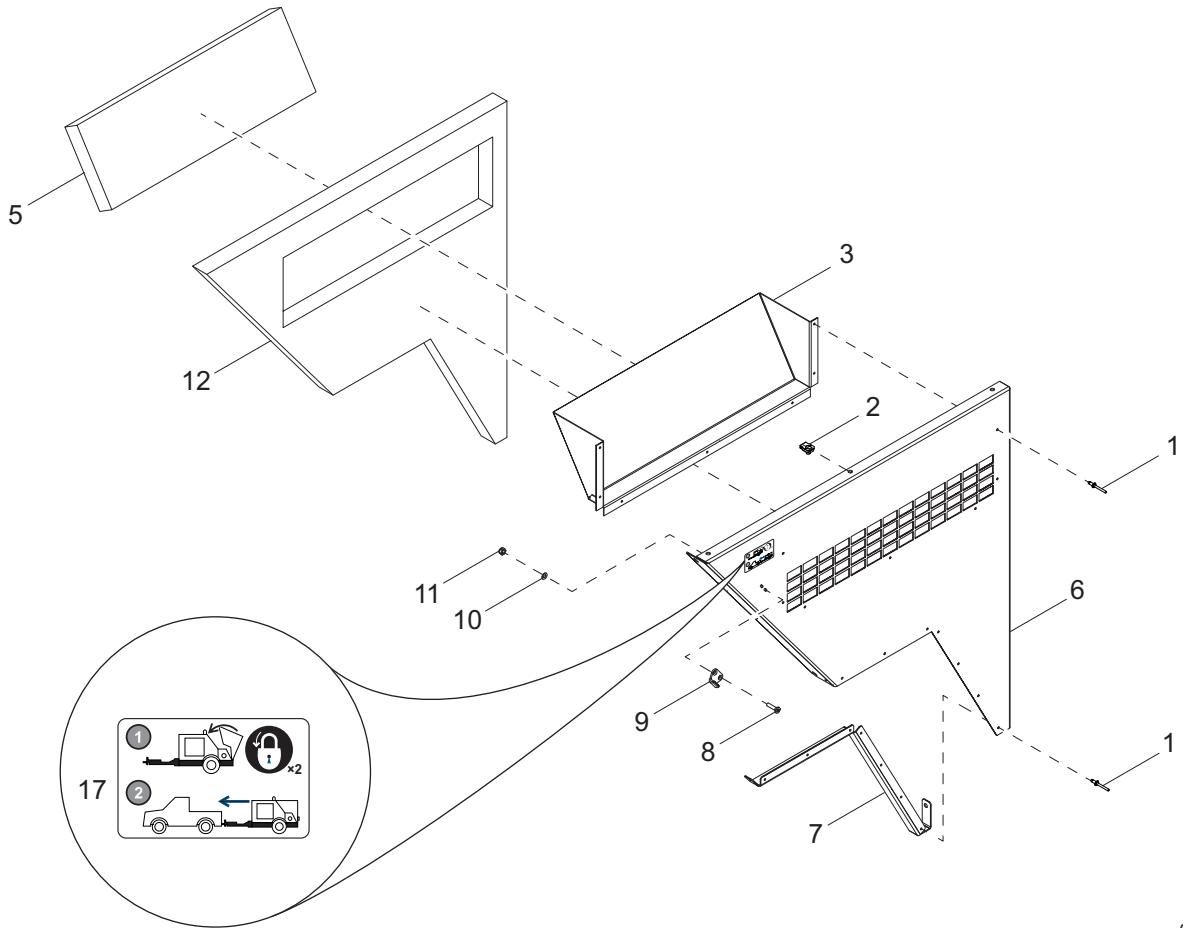
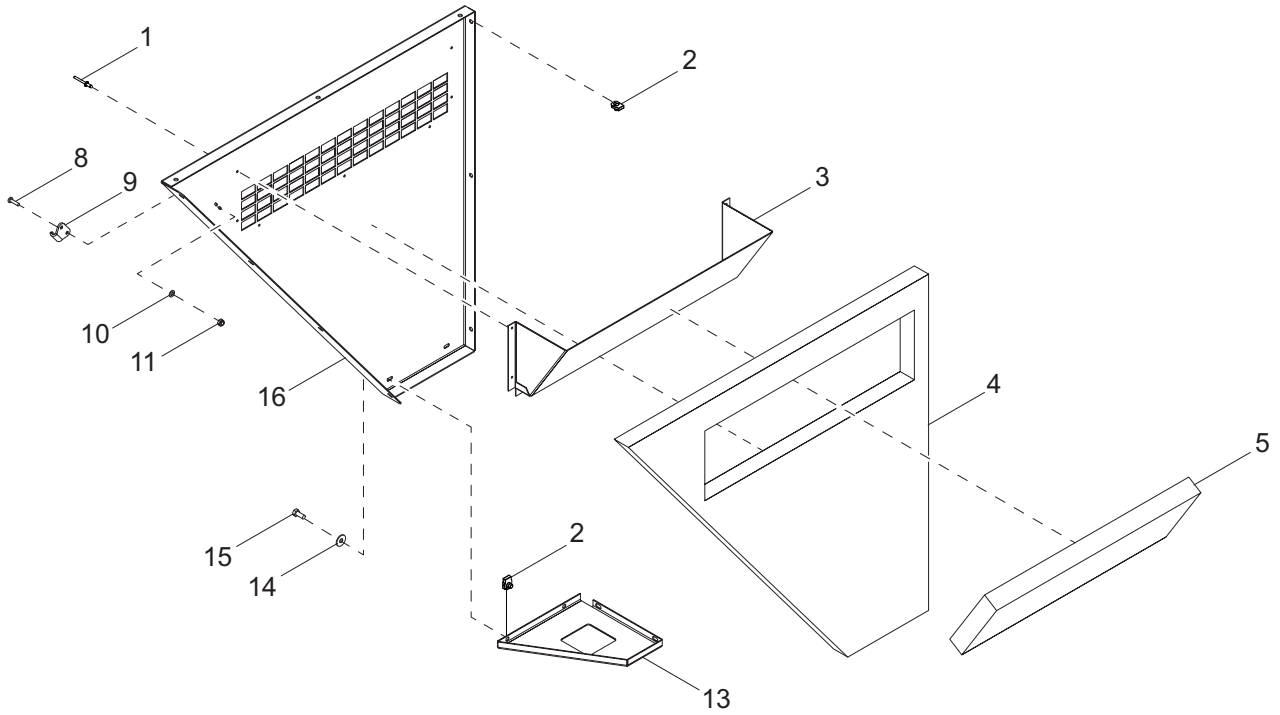


02560

## PUMP HOOD - REAR PANEL

Item	Part No.	Qty	Description	Notes
1	60727	4	Nut, .375-16 U-clip - short type	
2	10000018409	1	Panel, rear hood	
3	60628	7	Rivet, .188 diameter x .126 to .250 grip, SS	
4	10000010402	1	Plate, panel stiffener	
5	10000031620	1	Seal, pump - rubber	
6	10000010289	1	Bracket, gasket	
7	60340	20	Washer, .312 flat .875/.040 - SS	
8	60507	19	Screw, .312-18 x 1.00 standard hex - SS	
9	52947	1	Hinge, continuous .120TH x 3.00W x 42.00L - SS	
10	60303	10	Nut, .312-18 nylock, G2	
11	10000031611	1	Foam, hood rear	
12	10000031621	1	Foam, hood duct	
13	36320B	1	Duct	
14	62086	9	Nut, .312-18 U-clip - short type	

# PUMP HOOD - SIDE PANELS

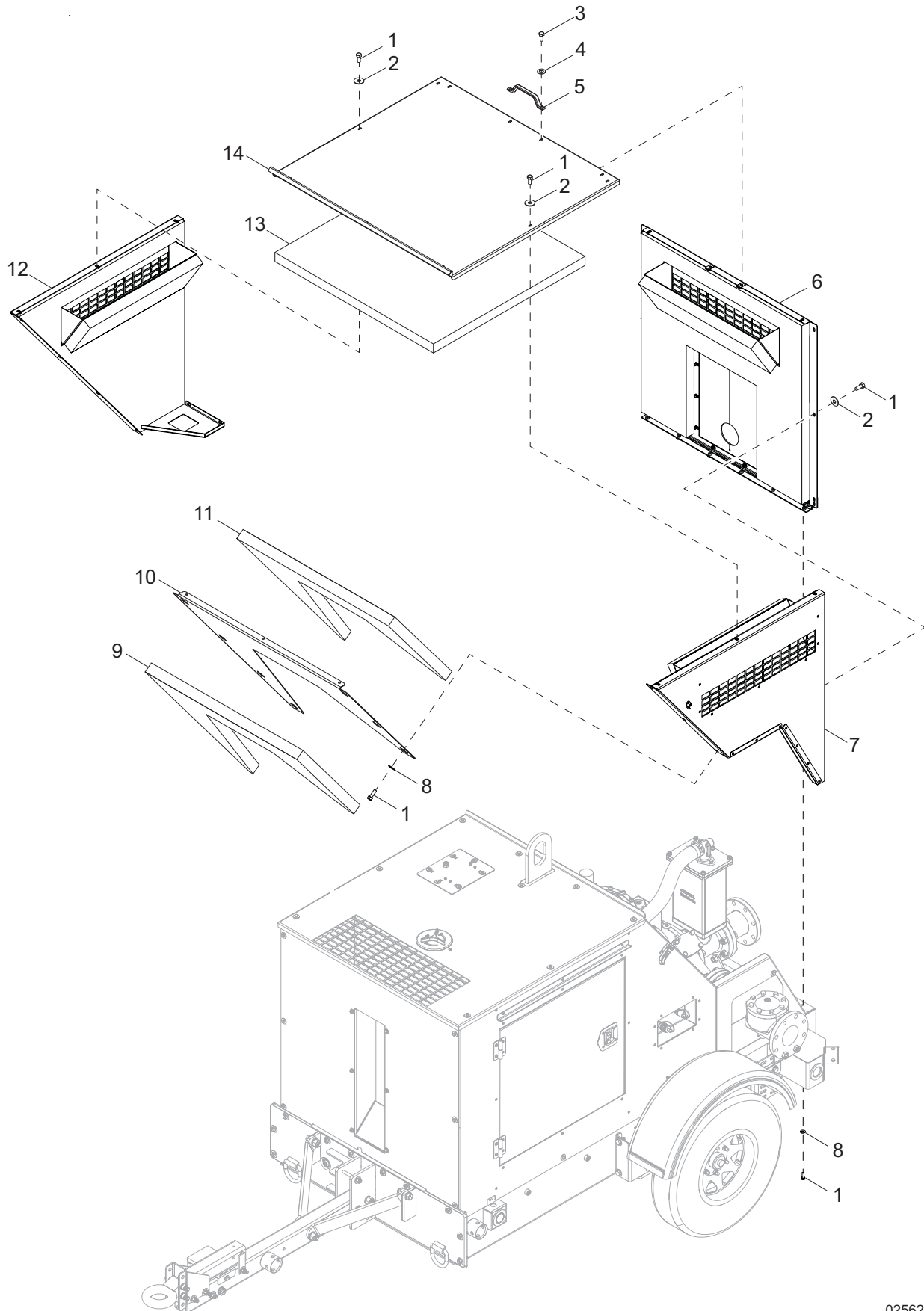


02561

## PUMP HOOD - SIDE PANELS

Item	Part No.	Qty	Description	Notes
1	60628	21	Rivet, .188 dia x .126 to .250 grip, SS	
2	62086	20	Nut, .312-18 U-clip, short type	
3	36320B	2	Duct	
4	10000031613	1	Foam, hood side - right	
5	10000031621	2	Foam, hood duct	
6	10000017782	1	Panel, hood side - left	
7	10000017802	1	Brace, side	
8	73124	4	Screw, 10-24 x .875 flat head Phillips - SS	
9	53378	2	Latch	
10	60067	4	Washer, #10 flat .435/.060 - SS	
11	60457	4	Nut, 10-24 nylock, G2	
12	10000031661	1	Foam, hood side - left	
13	53699B	1	Brace	
14	60452	2	Washer, .312 flat 1.125/1.00 -SS bonded rubber	
15	60507	2	Screw, .312-18 x 1.00 standard hex - SS	
16	10000017791	1	Panel, hood side - right	
17	56343	1	Decal, closed safety	each side

# PUMP HOOD ASSEMBLY



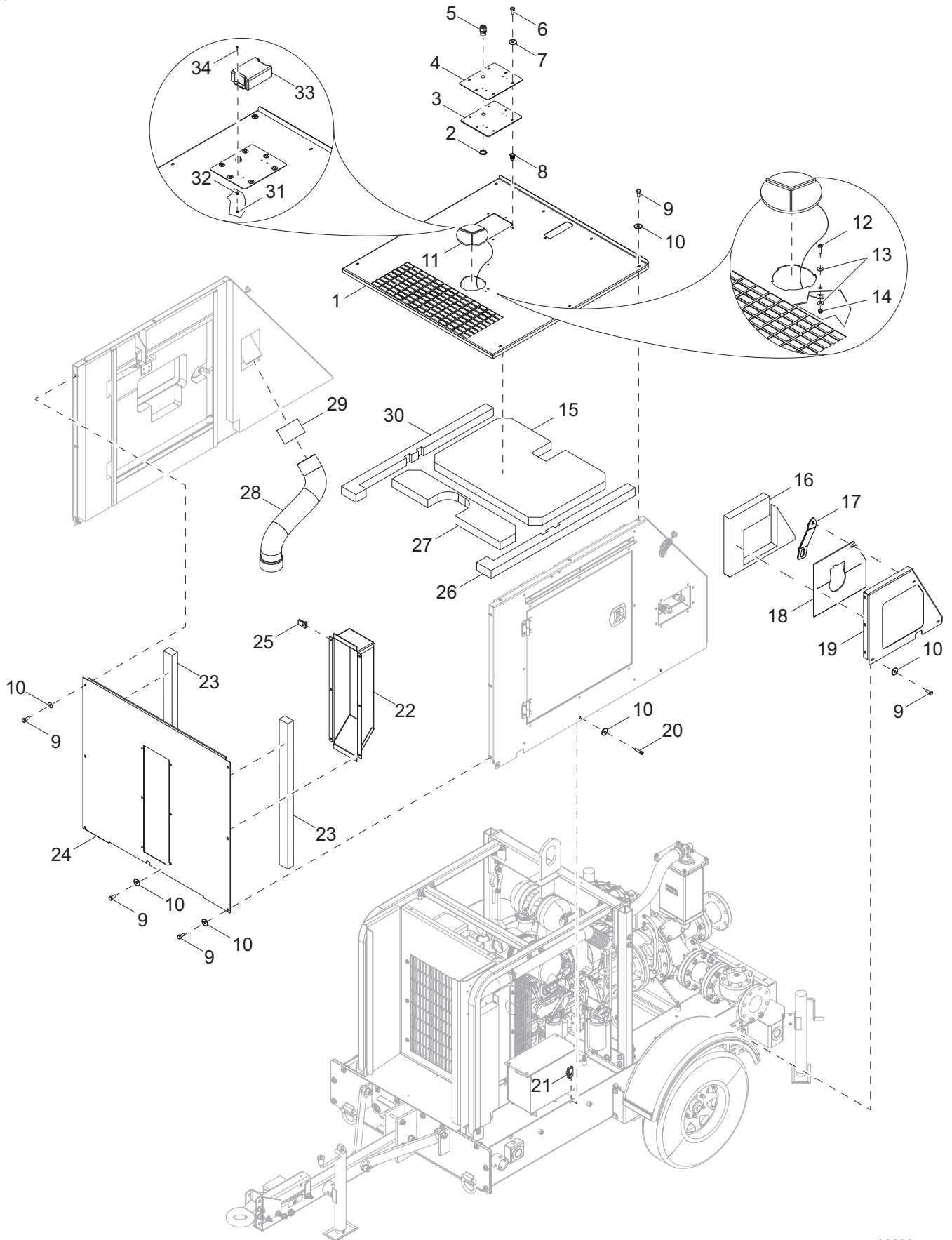
02562



## PUMP HOOD ASSEMBLY

Item	Part No.	Qty	Description	Notes
1	60507	27	Screw, .312-18 x 1.0 standard hex, SS	
2	60452	12	Washer, .312 flat 1.125/1.00 -SS bonded rubber	
3	61036	2	Screw, ..375-16 x 1.250 standard hex - SS	
4	60703	2	Washer, .375 split lock - SS	
5	26288	1	Handle, front hood access	
6	10000018409	1	Assembly, rear panel - hood	<i>Page 6</i>
7	A0001656894	1	Assembly, side panel left - hood	<i>Page 8</i>
8	60340	13	Washer, .312 flat .875/.040 - SS	
9	10000032579	1	Foam, hood brace - out	
10	10000017729	1	Panel, support	
11	10000032548	1	Foam, hood brace - in	
12	10000017791	1	Assembly, side panel right - hood	<i>Page 8</i>
13	10000032621	1	Foam, hood top	
14	10000017781	1	Panel, roof	

# ENGINE ENCLOSURE (3 OF 3)

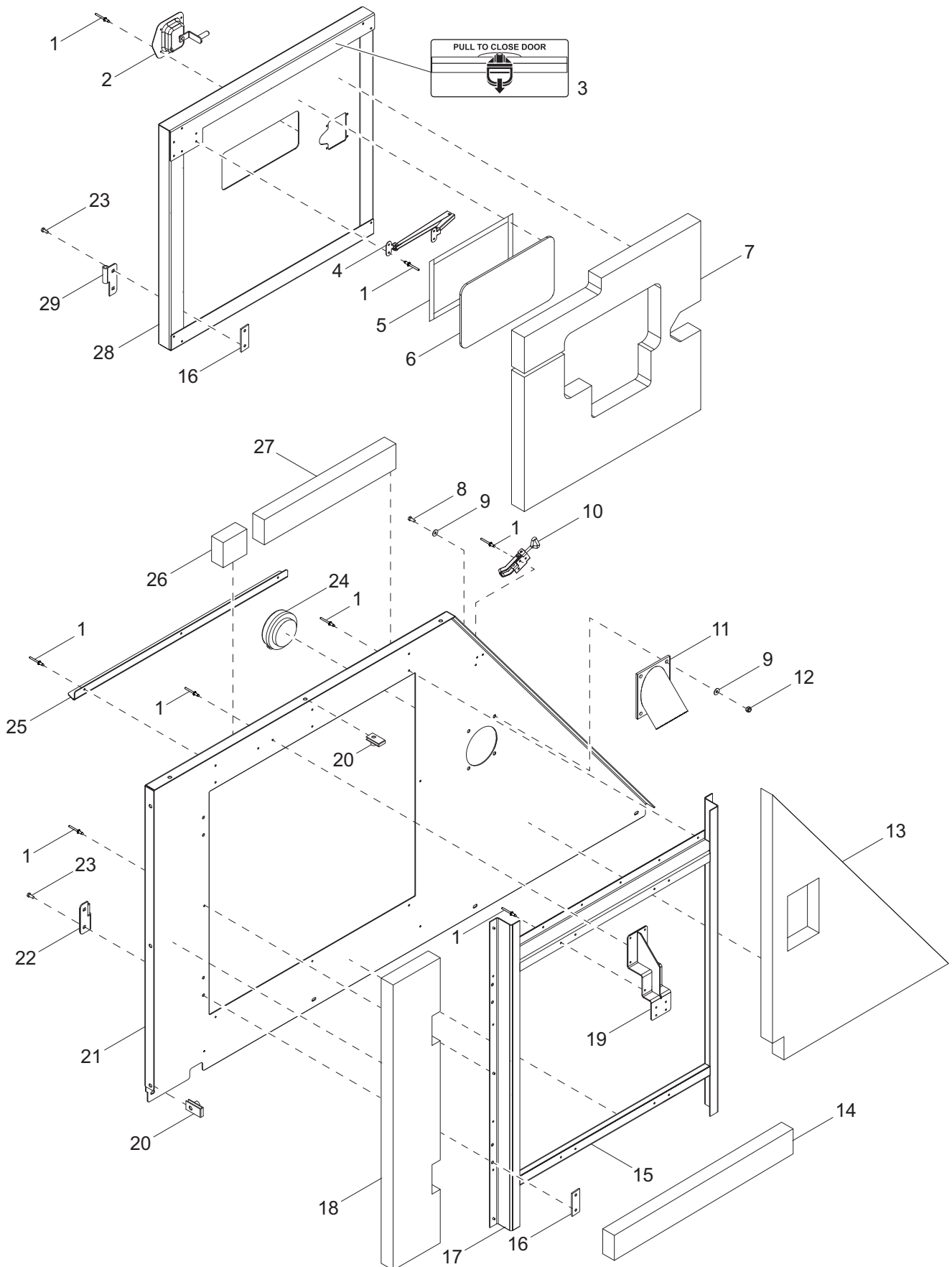


02690

**ENGINE ENCLOSURE (3 OF 3)**

<b>Item</b>	<b>Part No.</b>	<b>Qty</b>	<b>Description</b>	<b>Notes</b>
1	10000017632	1	Panel, roof	
2	15861	1	Nut, .500NPT lock	
3	39796	1	Gasket, roof access panel	
4	10000018437	1	Panel, roof access	
5	15864	1	Strain relief, .500NPT watertight	
6	61195	6	Screw, .250-20 x .750 standard hex - SS	
7	10000024181	6	Washer, .250 x 1.00 seal - SS	
8	62132	6	Insert, threaded .250-20 splined	
9	60507	30	Screw, .312-18 x 1.0 hex, SS	
10	60452	30	Washer, .312 flat .1.125/1.0, SS bonded rubber	
11	54013	1	Cap, radiator access	
12	60398	1	Screw, 10-32 x .500 pan Phillips, SS	
13	60237	2	Washer, #10 flat .495/.036	
14	60061	1	Nut, 10-32 nylock	
15	10000032630	1	Foam, hood top	
16	10000034016	1	Foam, discharge	
17	10000032366	1	Bracket, pump panel support	
18	10000032538	1	Rubber seal, pump out	
19	10000029064	1	Panel, side outlet	
20	62208	6	Screw, M8-1.25 x 35 socket head - SS	
21	54239	9	Nut, .312-18 U-clip, short type	
22	10000017710	1	Panel, front	
23	10000032622	2	Foam, front	
24	10000017618	1	Panel, front	
25	62086	6	Nut, .312-18 U-clip, short type	
26	10000032585	1	Foam, top - right	
27	10000032592	1	Foam, top - front	
28	52904	1	Hose, fuel fill - 4.50 ID flex w/cuffs	
29	56341	1	Spacer, 4.50 OD x 4.0 ID - 2.0 long	
30	10000032640	1	Foam, top - left	
31	60061	4	Nut, 10-32 nylock	
32	60067	4	Washer, #10 flat .435/.060 - SS	
33	10000014954	1	Telemetry, ZTR - M8HZT UR	
34	61180	4	Screw, 10-32 x .750 pan Phillips - SS	
--	10000031893	1	Harness, pump telemetry	

# ENGINE ENCLOSURE (2 OF 3)

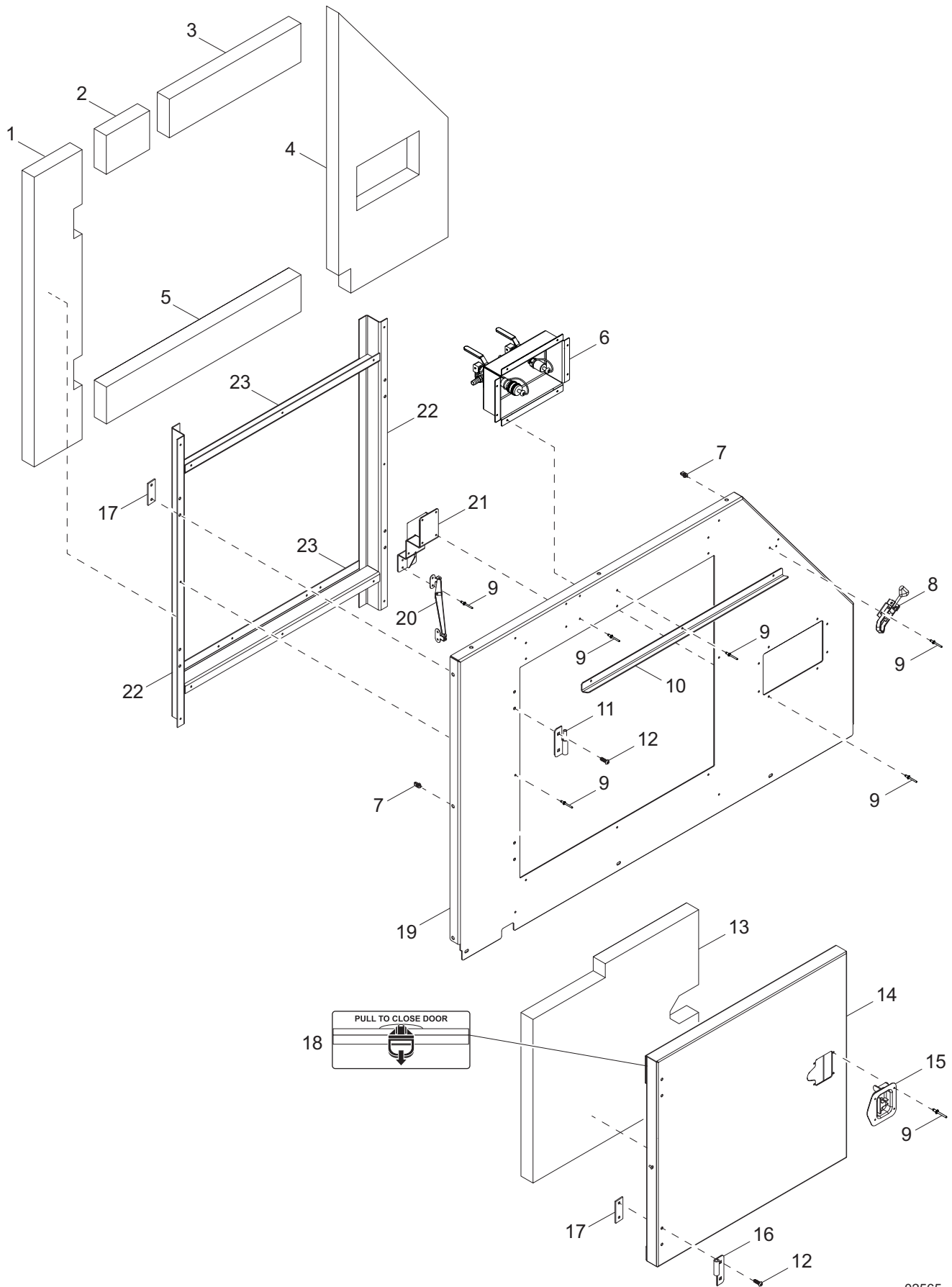


02564

**ENGINE ENCLOSURE (2 OF 3)**

<b>Item</b>	<b>Part No.</b>	<b>Qty</b>	<b>Description</b>	<b>Notes</b>
1	60268	48	Rivet, .188 dia x .126 to .250 grip, SS	
2	22497	1	Latch, T-handle - left CW lock	
3	56343	1	Decal, closed safety	
4	53756	1	Brace, folding door	
5	50192	3.0 ft	Tape, .500 double sided - type VHB	
6	35854	1	Window, control door	
7	10000032586	1	Foam, door- control side	
8	60507	4	Screw, .312-18 x 1.00 standard hex - SS	
9	60340	8	Washer, .312 flat .875/.040 - SS	
10	53378	1	Latch	
11	24296B	1	Weldment, fuel fill	
12	60303	4	Nut, .312-18 nylock, G2	
13	10000032633	1	Foam, side panel	
14	10000032587	1	Foam, top side panel	
15	36315B	2	Bracket, door jamb - top/bottom	
16	36672	4	Plate, hinge back - threaded	
17	36314B	2	Bracket, door jamb - side	
18	10000032605	1	Foam, front side	
19	53754B	1	Weldment, door brace support	
20	62086	10	Nut, .312-18 U-clip, short type	
21	10000017661	1	Panel, front - right	
22	18461B	2	Hinge, left - male	
23	63346	8	Screw, .312-18 x 1.0 hex, SS	
24	23707	1	Cap, fuel fill - 3.50	
25	10000017767	1	Drip rail	
26	10000032612	1	Foam, side	
27	10000032623	1	Foam, side - top	
28	10000017730	1	Door, right hand - w/window	
29	18460B	2	Hinge, left - female	

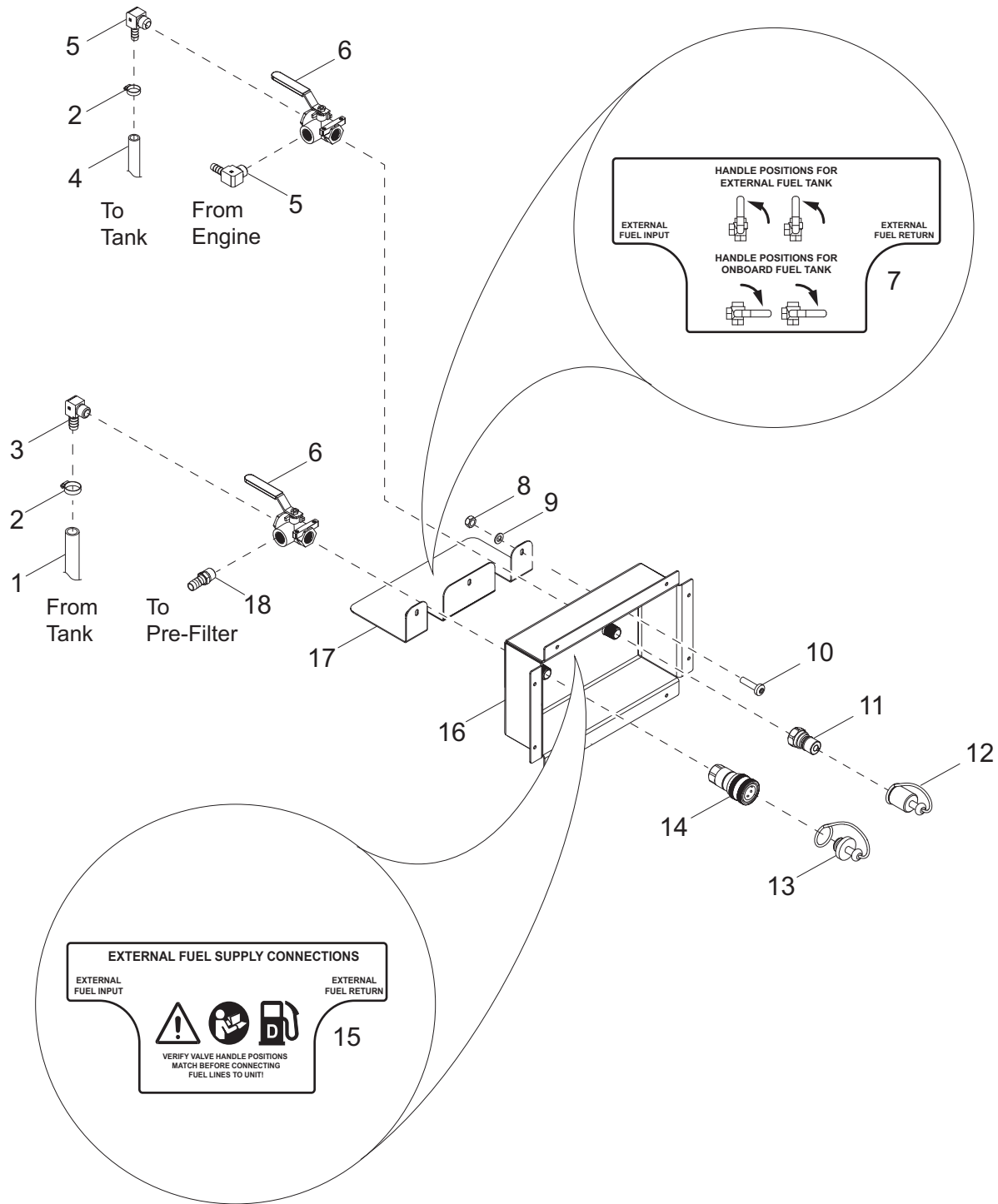
# ENGINE ENCLOSURE (1 OF 3)



02565

Item	Part No.	Qty	Description	Notes
1	10000032605	1	Foam, front side	
2	10000032612	1	Foam - side	
3	10000032623	1	Foam, side - top	
4	10000032651	1	Foam, side panel	
5	10000032587	1	Foam	
6	10000028867	1	Assembly, quick disconnect - fuel	<i>Page 18</i>
7	62086	8	Nut, U-clip - short type	
8	53378	1	Latch	
9	60268	50	Rivet, .188 dia x .126 to .250 grip, SS	
10	10000017767	1	Drip edge	
11	18459B	2	Hinge, right - male	
12	63346	8	Screw, .312-18 x 1.00 security head - SS	
13	10000032652	1	Foam - door panel - engine side	
14	10000017705	1	Door, left hand	
15	22497	1	Latch, T-handle - right CCW lock	
16	18462B	2	Hinge, right - female	
17	36672ZC	4	Plate, hinge back - threaded	
18	56343	1	Decal, closed safety	
19	10000026900	1	Panel, front - LH	
20	53756	1	Brace, folding door	
21	53754B	1	Weldment, door brace support	
22	36314B	2	Bracket, door jamb - side	
23	36315B	2	Bracket, door jamb - top/bottom	

# QUICK DISCONNECT BOX



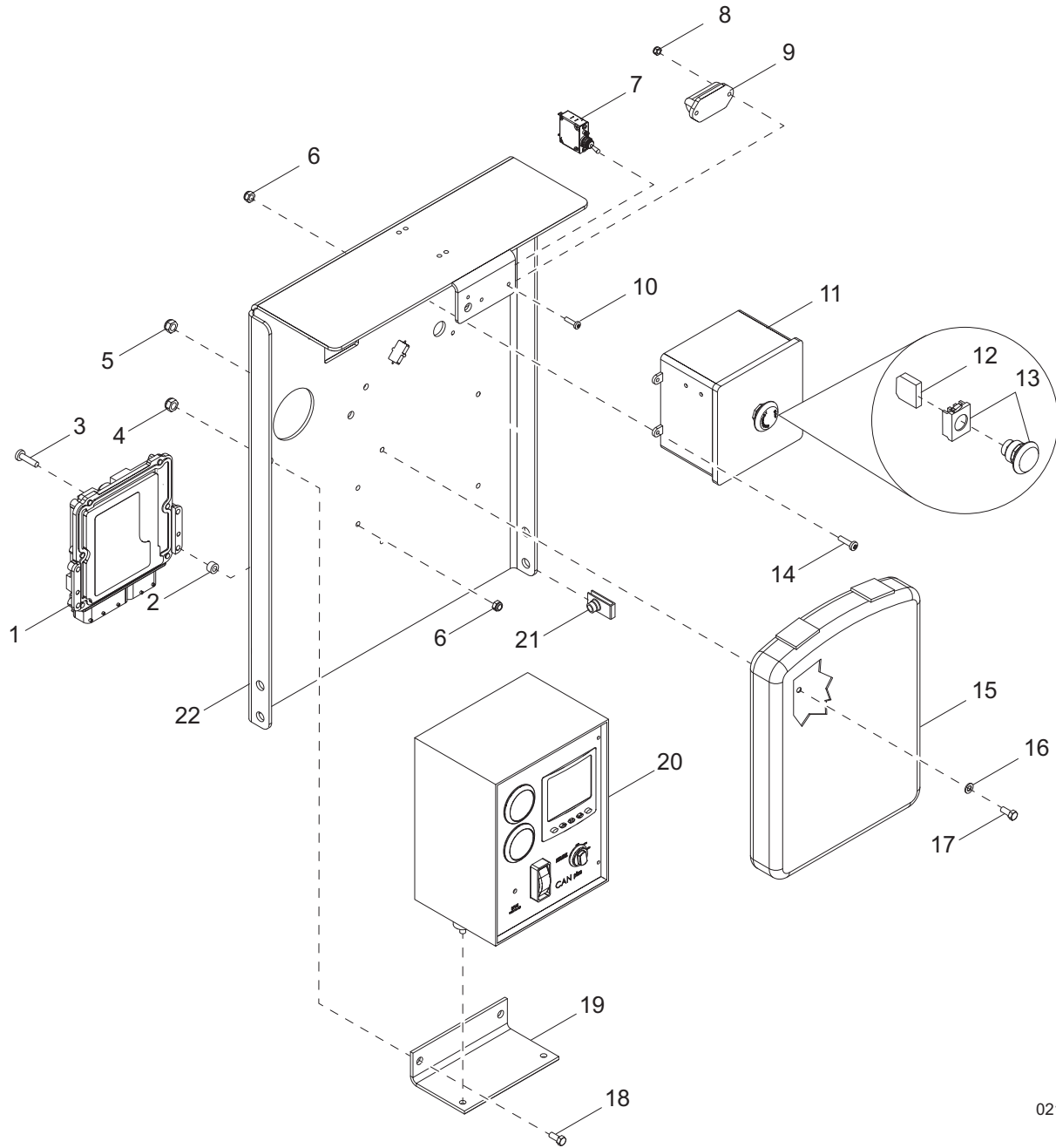
02555



## QUICK DISCONNECT BOX

Item	Part No.	Qty	Description	Notes
1	51022	2.6 ft	Hose, fuel - .500 ID, 125 PSI	
2	19453	1	Clamp, hose - SAE006 (.37-.87)	
3	62108	1	Fitting, 90° .375MNPT x .500 barb - brass	
4	51021	1.5	Hose, fuel - .375 ID, 125 PSI	
5	62145	2	Fitting, 90° .375MNPT x .375 barb - brass	
6	10000031848	1	Valve, ball .375 NPT 3 port	
7	10000030970	1	Decal	
8	60061	3	Nut, 10-32 nylock	
9	60067	3	Washer, #10 flat .435/.060 - SS	
10	60398	3	Screw, 10-32 x .500 pan Phillips -SS	
11	10000027893	1	Fitting, nipple	
12	10000027901	1	Fitting, plug	
13	10000027873	1	Fitting, plug	
14	10000027859	1	Fitting, coupler	
15	10000030936	1	Decal, external fuel supply connections	
16	10000028867	1	Weldment, fuel valve	
17	10000030186	1	Panel, fuel connection	
18	21339	1	Fitting, straight .375NPT x .500 Barb	

# CONTROL PANEL ASSEMBLY



02153

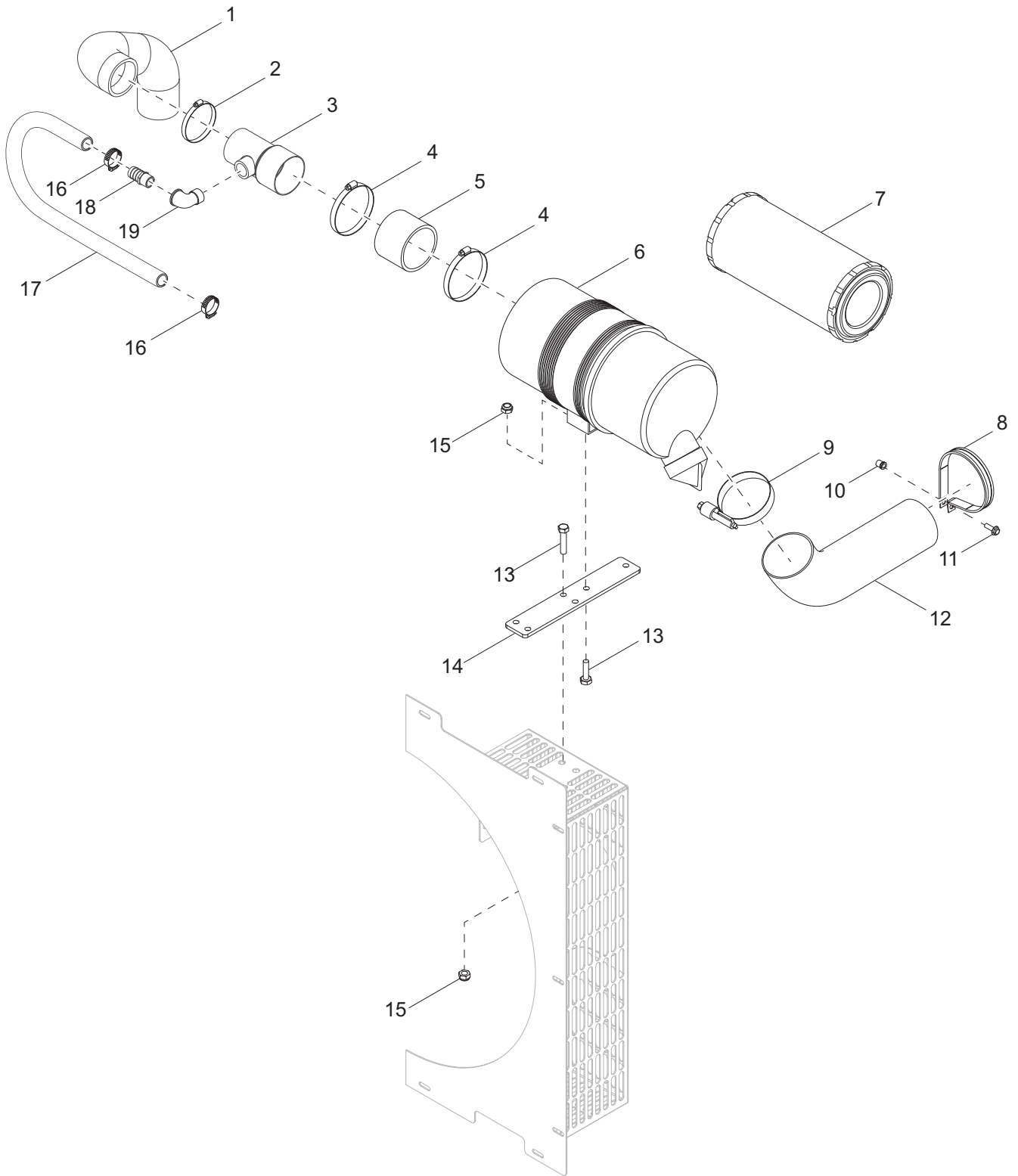
## CONTROL PANEL ASSEMBLY

Item	Part No.	Qty	Description	Notes
1	31509	1	ECU, Duetz 2.9	w/hardware
2	66257	4	Spacer, .20ID, .375OD, .25 thick	
3	60397	4	Screw, 10-32 x 1.0 pan Phillips, G2	
4	60358	2	Nut, .375-16 nylock, G5	
5	60144	4	Nut, .250-20 nylock, G5	
6	60061	4	Nut, 10-32 nylock	
7	36880	1	Switch, light	
8	60270	2	Nut, 8-32 nylock, G6	
9	36879	1	Light, license plate	
10	60244	2	Screw, 8-32 x .750 pan Phillips, G2	
11	54019	1	Assembly, E-stop box	
12	65584	1	Block, E-stop contactor NO/NO	
13	65470	1	Switch, E-stop operator	
14	60062	4	Screw, 10-32 x .750 pan Phillips, G2	
15	24540	1	Holder, manual	
16	60243	4	Washer, .250 flat, .735/.060	
17	60281	4	Screw, .250-20 x .750 hex, G5	
18	60352	2	Screw, .375-16 x 1.25 hex	
19	53693B	1	Bracket, controller mounting	
20	10000032653	1	Assembly, control box w/controller - Lofa750	w/hardware
21	60727	4	Nut, .375-16 U-clip, short type	
22	31732B	1	Bracket, control box	
--	68304	1	Harness, main	

### *Float Switch - Lofa 750 (if equipped)*

--	41581	2	Assembly, float switch
--	49607	1	Adapter, harness - float switch

# AIR FILTER ASSEMBLY

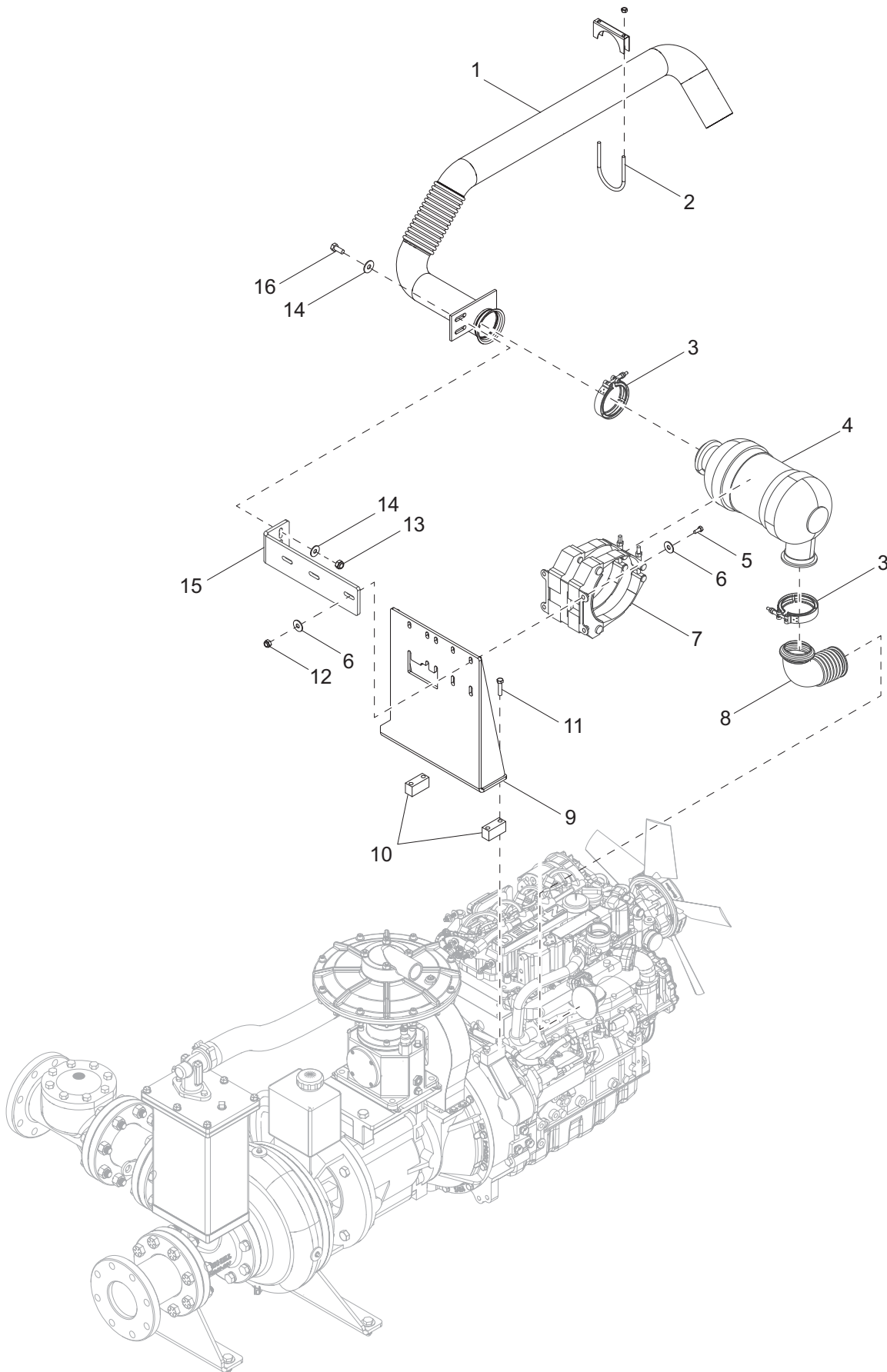


02576

## AIR FILTER ASSEMBLY

Item	Part No.	Qty	Description	Notes
1	31477	1	Hose, air filter	
2	19336	1	Clamp, hose - SAE 044 (2.31-3.25)	
3	31476BH	1	Weldment, air inlet tube	
4	18663	2	Clamp, hose - SAE 060 (3.31-4.25)	
5	31473	1	Hose, air filter	
6	22967	1	Filter, air	
7	22874	1	Element, air filter	
8	63154	1	Clamp, tubing 3.50 light-duty	
9	60664	1	Clamp, hose 2.75-3.625 constant torque	
10	62132	1	Insert, threaded .250-20 splined .027-.165 grip	
11	60175	1	Screw, .250-20 x .500 serrated flange hex, g5	
12	10000034611	2.0 ft	Hose, 3.00 EZ form - coolant	
13	31462B	1	Bracket, air filter	
14	60028	6	Screw, .312-18 x 1.0 standard hex, G5	
15	60303	6	Nut, .312-18 nylock, G2	
16	19338	2	Clamp, hose - SAE 016 (.68-1.50)	
17	51019	1.5 ft	Hose, heater - .875 J20R3	
18	25496	1	Fitting, strt - .750MNPT x 1.0 barb, brass	
19	25110	1	Fitting, 90° street - .750MNPT x .750FNPT	

# EXHAUST SYSTEM ASSEMBLY

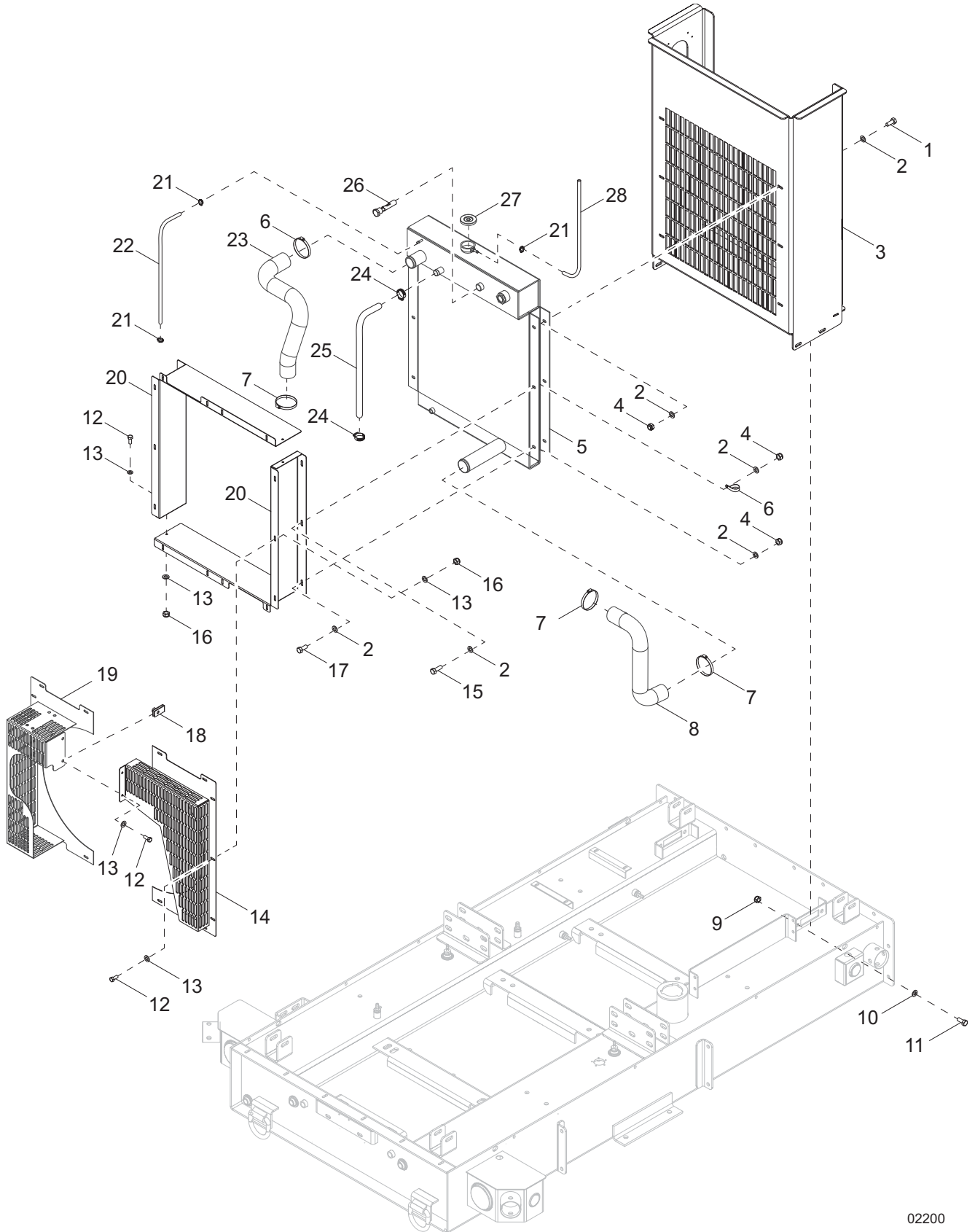


02566

## EXHAUST SYSTEM ASSEMBLY

Item	Part No.	Qty	Description	Notes
1	53234	1	Weldment, DOC outlet pipe	
2	61064	1	Clamp, muffler 3.0 light duty	
3	63248	2	Clamp, V-band - 3.88 ID/.40 SC width	
4	31470	1	DOC, Deutz D2.9	
5	60256	5	Screw, .312-18 x 1.50 standard hex, threaded, G5	
6	60119	10	Washer, .312 flat .875/.070	
7	31471	1	Clamp, DOC	
8	31596	1	Weldment, DOC pipe	
9	10000026845	1	Weldment, DOC mounting	
10	31539B	2	Spacer	
11	60152	4	Screw, M10-1.50 x 60 standard hex, G8.8	
12	60303	5	Nut, .312-18 nylock, G2	
13	60358	2	Nut, .375-16 nylock, G5	
14	60386	4	Washer, .375 flat .993/.064	
15	31629B	1	Bracket, tail pipe support	
16	60352	2	Screw, .375-16 x 1.250 standard hex, G5	
--	26480	1	Sleeve, high temp - 4.0	
--	19336	2	Clamp, hose - SAE44 (2.31-3.25)	

# COOLING SYSTEM ASSEMBLY



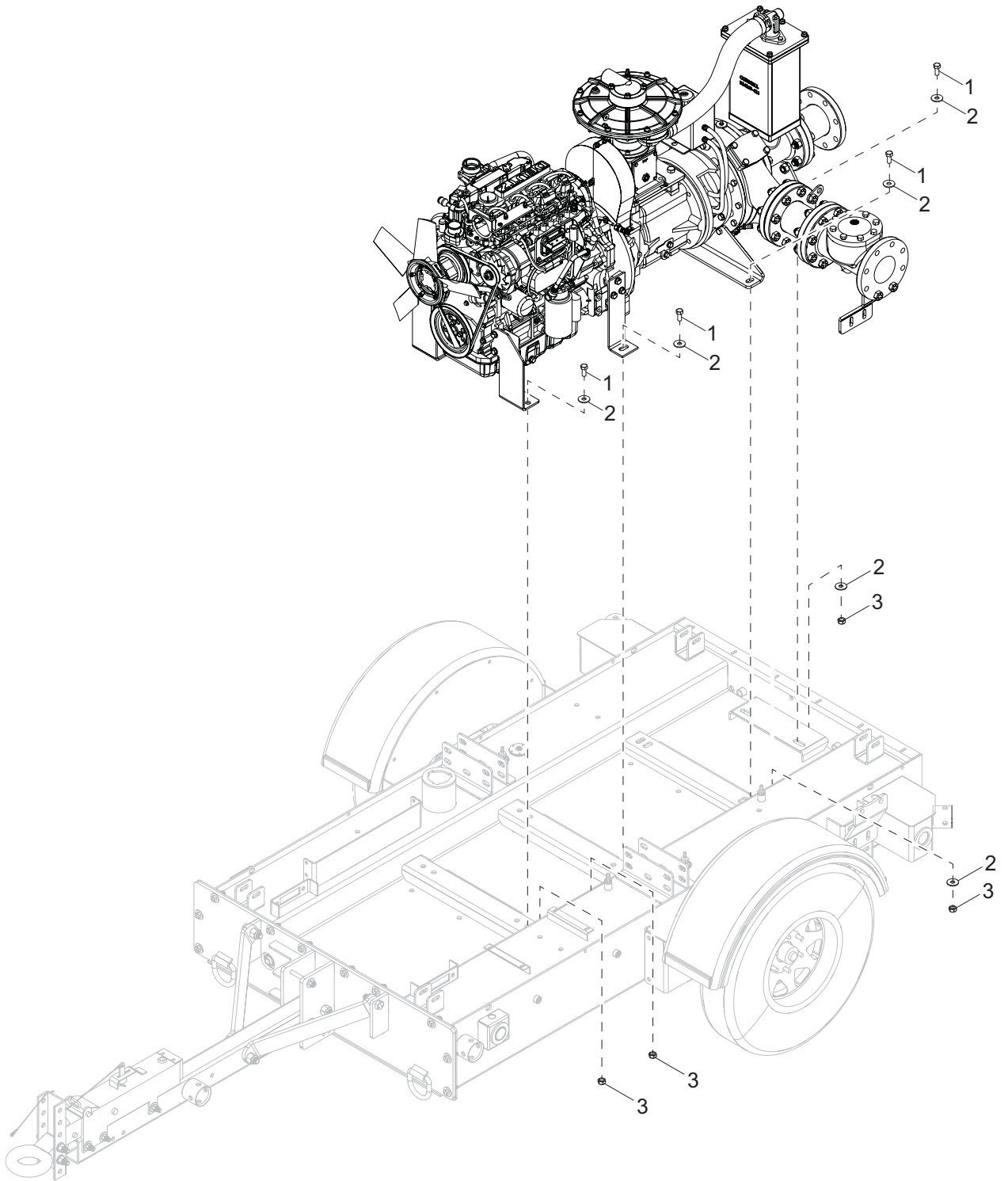
02200



## COOLING SYSTEM ASSEMBLY

Item	Part No.	Qty	Description	Notes
1	62001	6	Screw, .312-18 x 1.250 standard hex, G5	
2	60119	24	Washer, .312 flat .875/.070	
3	31675B	1	Bracket, radiator support	
4	60303	12	Nut, .312-18 nylock, G2	
5	38321	1	Radiator, w/expansion tank	
6	15627	1	Clamp, tubing - .625 heavy duty	
7	60316	4	Clamp, hose - SAE 032 (1.56-2.50)	
8	31440	1	Hose, radiator - lower	
9	60358	4	Nut, .375-16 nylock, G5	
10	60386	4	Washer, .375 flat .993/.064	
11	60352	8	Screw, .375-16 x 1.250 standard hex, G5	
12	60281	18	Screw, .250-20 x .750 standard hex, G5	
13	60243	34	Washer, .250 flat .735/.060	
14	31582B	1	Weldment, fan guard - right	
15	60028	1	Screw, .312-18 x 1.00 standard hex, G5	
16	60144	16	Nut, .250-20 nylock, G5	
17	61061	5	Screw, .312-18 x .875 standard hex, G5	
18	61143	2	Nut, .250-20 U-clip - short type	
19	31581B	1	Weldment, fan guard - left	
20	31561B	2	Shroud, fan	
21	14216	3	Clamp, hose - SAE 004 (.21-.62) mini	
22	50017	1 ft	Hose, fuel - .250 ID, 50 psi, SAE 30R7	
23	31439	1	Hose, radiator - upper	
24	19338	2	Clamp, hose - SAE 016 (.68-1.50)	
25	51019	2 ft	Hose, heater .875 J20R3	
26	68206	1	Sensor, low coolant, wet sinking	
27	39850	1	Cap, radiator	
28	50018	3 ft	Hose, fuel - .312 ID, 50 psi, SAE 30R7	

# ENGINE AND PUMP TO TRAILER ASSEMBLY



02567

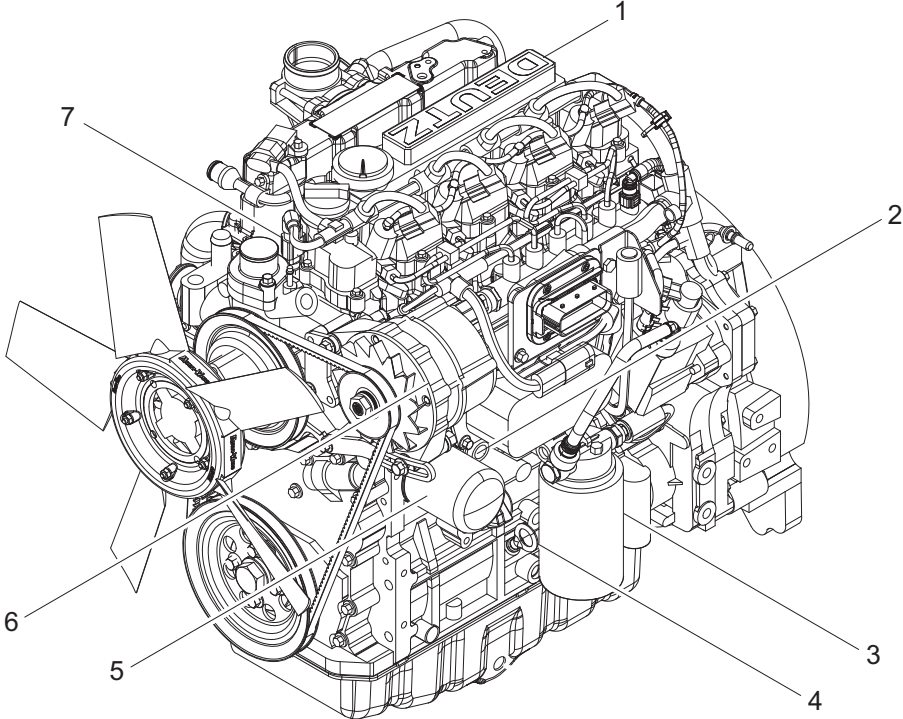
## ENGINE AND PUMP TO TRAILER ASSEMBLY

---

Item	Part No.	Qty	Description	Notes
1	61069	8	Screw, .500-13 x 1.50 standard hex, G5	
2	63265	12	Washer, .500 flat 1.060/.090	
3	60240	8	Nut, .625-11 nylock, G5	

**ENGINE ASSEMBLY - LEFT SIDE**

---



02197

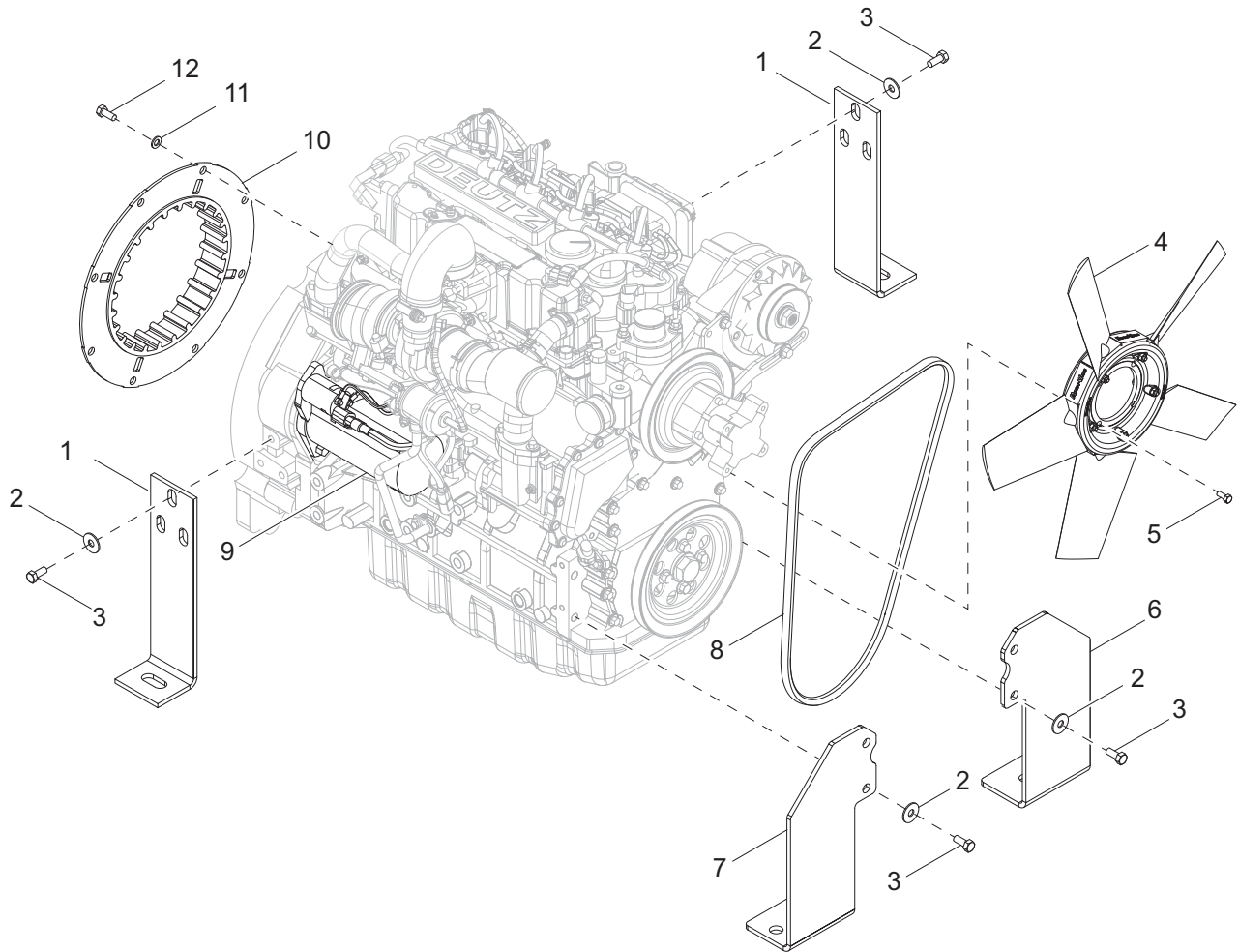
## ENGINE ASSEMBLY - LEFT SIDE

---

Item	Part No.	Qty	Description	Notes
1	31380	1	Engine, Deutz D2.9 - T4F 40hp, variable speed	
2	52223	1	Sensor, oil pressure	
3	52217	1	Filter, fuel	
4	52215	1	Dipstick, oil	
5	52212	1	Filter, oil	
6	52214	1	Alternator	
7	52221	1	Sensor, temperature	

**Note:** Engine and pump parts used in all Generac Mobile Products, LLC equipment carry the Original Equipment Manufacturer (OEM) warranty unless otherwise stated. OEM warranty parts must be purchased through an OEM dealer. Please contact Generac Mobile Products, LLC with questions.

# ENGINE ASSEMBLY - RIGHT SIDE



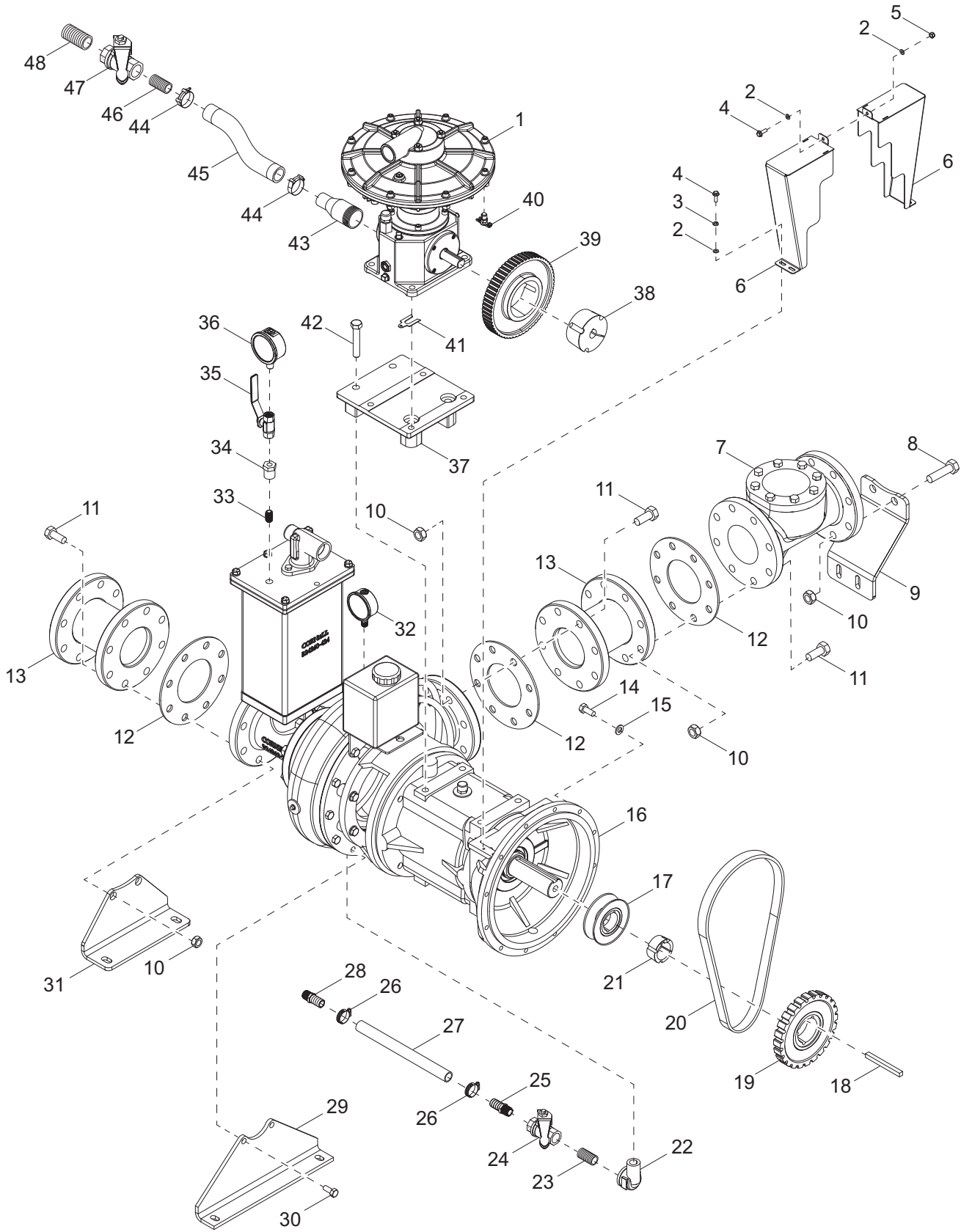
03543

## ENGINE ASSEMBLY - RIGHT SIDE

Item	Part No.	Qty	Description	Notes
1	31674B	2	Bracket, engine mount - bell housing	
2	60012	10	Washer, M12 flat	
3	62277	10	Screw, M12-1.75 x 25 standard hex, G10.9	
4	31410	1	Fan, pusher - 20.0 CW	
5	61204	4	Screw, M8-1.25 x 20 standard hex, G10.9	
6	31667B	1	Weldment, engine mount, left	
7	31668B	1	Weldment, engine mount, right	
8	52213	1	Belt, fan	
9	52219	1	Starter	
10	A0001580515	1	Kit, coupling, Arcusaflex	incl. item 19, pp, 34
11	60027	8	Washer, M10 flat	
12	63338	8	Screw, M10 - 1.50 x 20 hex, G10.9	

**Note:** Engine and pump parts used in all Generac Mobile Products, LLC equipment carry the Original Equipment Manufacturer (OEM) warranty unless otherwise stated. OEM warranty parts must be purchased through an OEM dealer. Please contact Generac Mobile Products, LLC with questions.

# EXTERNAL PUMP ASSEMBLY



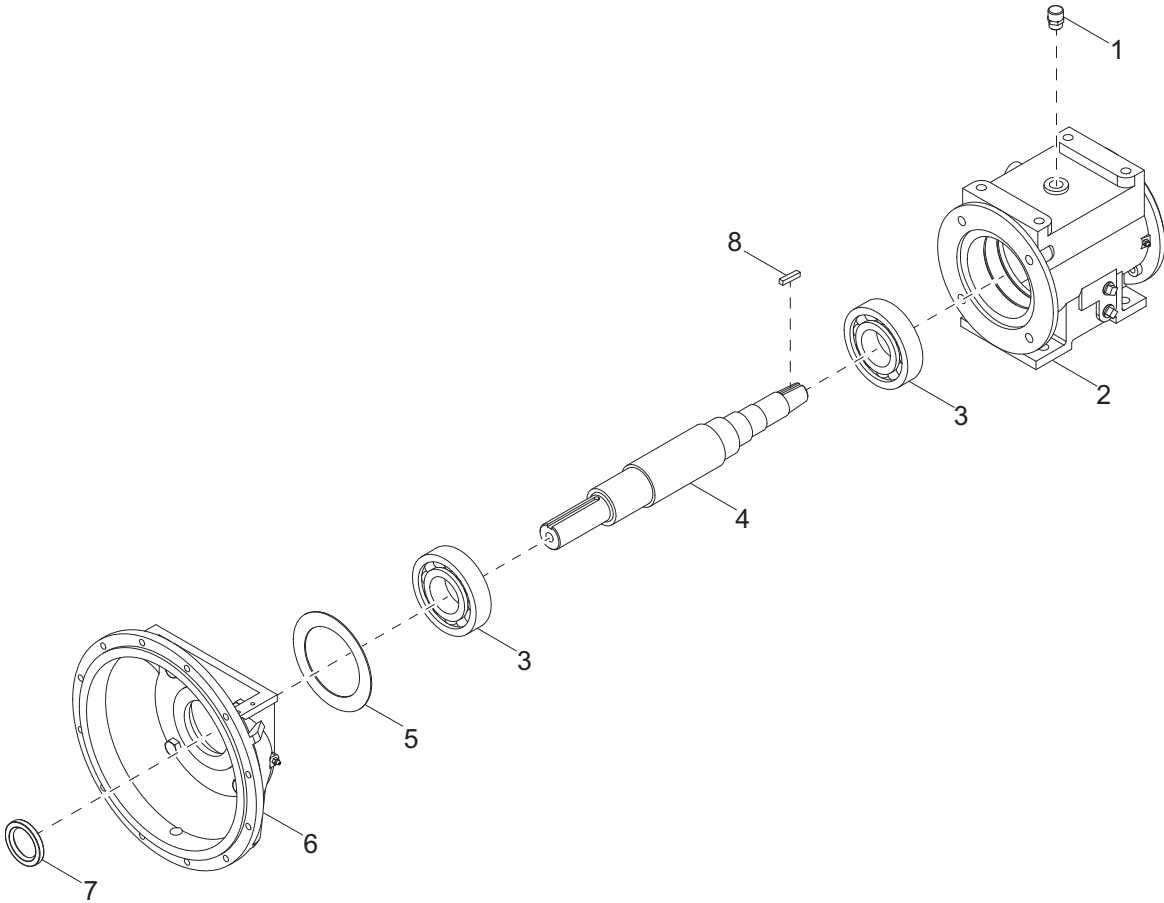
03544



## EXTERNAL PUMP ASSEMBLY

Item	Part No.	Qty	Description	Notes
1	63372	1	Assembly, vacuum pump	Included with item 16
2	60243	6	Washer, .250 flat .735/.060	
3	60286	4	Washer, .250 split lock	
4	60523	5	Screw, .250-20 x .875 serrated flange hex	
5	60144	1	Nut, .250-20 nylock, G5	
6	31608B	2	Guard, belt	
7	52094	1	Check valve	
8	60532	2	Screw, .750-10 x 3.00 standard hex, G8	
9	10000026859	1	Bracket, valve support	
10	61071	24	Nut, .625-11 jam, G5	
11	61070	22	Screw, .625-11 x 2.75 standard hex, G5	
12	41155	3	Gasket, pump flange - 4.00	
13	10000026910	2	Weldment, spool	
14	60055	12	Screw, M10 - 1.50 x 35 standard hex, G10.9	
15	60027	12	Washer, M10 flat	
16	10000025364	1	Pump, trash - 4NNT-EM-RP-4	
17	63376	1	Pulley, small	
18	10000037703	1	Key, drive end .380 x 4.0	
19	A0001580515	1	Kit, coupling, Arcusaflex	incl. item 10, pp, 32
20	63379	1	Belt driver	Included with item 1
21	63381		Bushing, taper lock	
22	23146	1	Fitting, 90° - .250MNPT x .375 FNPT brass	
23	25922	1	Fitting, pipe nipple - .375 NPT x close brass	
24	19280	1	Valve, ball .375FNPT, mini	
25	25931	1	Fitting, straight - .375NPT x.625 barb, brass	
26	60365	2	Clamp, hose - SAE 010 (.56-1.06)	
27	50201	2.0 ft	Hose, .625 ID	
28	60502	1	Fitting, straight - .500NPT x.625 barb, brass	
29	31677B	1	Bracket, pump mount	
30	63186	2	Screw, .500-13 x 1.250 standard hex, G5	
31	10000026880	1	Bracket, pump inlet spool support	
32	10000031063	1	Gauge, pressure .250NPT 0-200PSI - SS	
33	19401	1	Fitting, straight .500MNPT x .250FNPT	
34	10000030978	1	Fitting, nipple .375NPT x .875 - SS	
35	10000031037	1	Valve ball, .250NPTF - Brass	
36	49420	1	Gauge, vacuum .250NPT - SS	
37	10000033555	1	Platform, pump	
38	63377	1	Bushing, taper lock	
39	63375	1	Pulley, large	Included with item 1
40	10000033659	1	Valve, petcock	
41	63257	4	Shim, .0156 in	
--	63183	4	Shim, .0312 in	
--	63258	4	Shim, .0625 in	
42	62103	4	Screw, .625-12 x 3.50 standard hex, G5	
43	10000033808	1	Bushing, 1.25 x .750	
44	10000033756	2	Clamp, t-bolt 1.50	
45	10000033843	2 ft	Hose, 1.00ID EPDM	
46	10000033806	1	Nipple, king .750 diameter x 1.00	
47	10000033695	1	Ball valve	
48	10000033841	1	Nipple, king 1.25 diameter x 1.00	

# BEARING FRAME ASSEMBLY



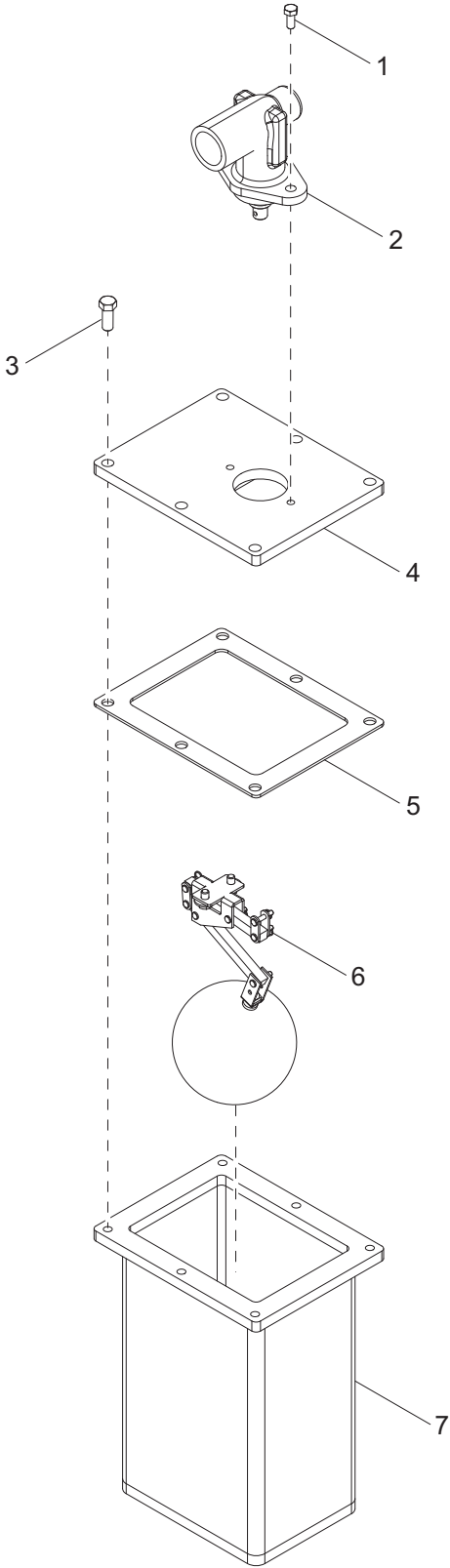
01338

## BEARING FRAME ASSEMBLY

---

Item	Part No.	Qty	Description	Notes
1	52034	1	Breather, .500NPT	
2	52130	1	Frame, pump	
3	52134	2	Bearing, 16B	
4	10000037731	1	Shaft, F85 frame	
5	10000038632	1	Shim, .005	as needed
--	52141	1	Shim, .010	as needed
6	52043	1	Bracket, engine - SAE #4	
7	10000037686	1	Seal, lip	
8	10000037740	1	Key, impeller .310 x 1.38	

# PRIMING CHAMBER ASSEMBLY



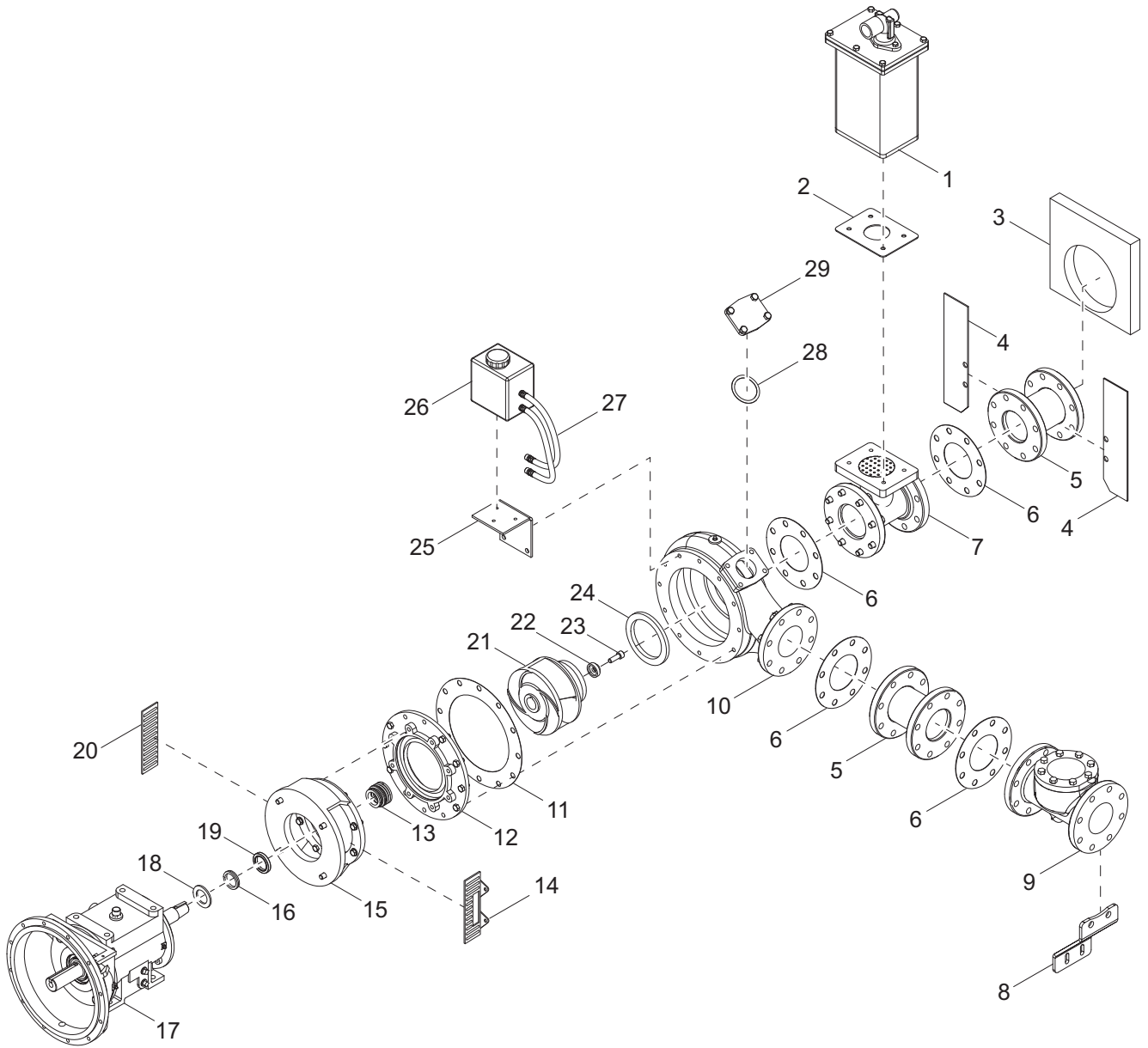
01637

## PRIMING CHAMBER ASSEMBLY

---

Item	Part No.	Qty	Description	Notes
1	52167	2	Cap screw, hex .31NC x .50	
2	31656	1	Valve, priming chamber	
3	52178	6	Screw, .440 x 1.25 standard hex, SS	
4	52163	1	Cover, priming chamber	
5	52177	1	Gasket, priming chamber - upper	
6	52165	1	Assembly, float linkage	
7	52180B	1	Priming chamber	
--	36326	1	Assembly, priming chamber	

# INTERNAL PUMP ASSEMBLY

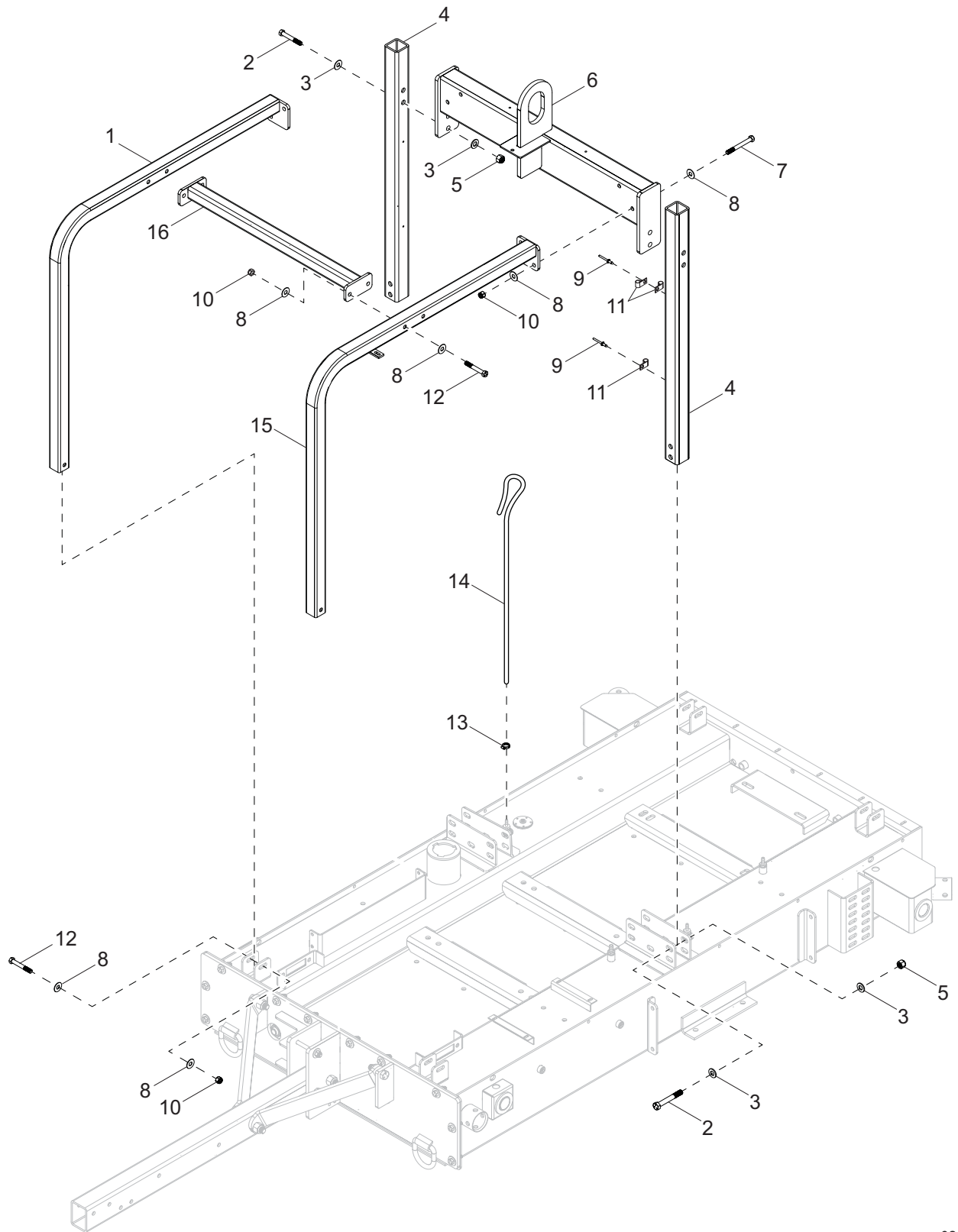


02569

## INTERNAL PUMP ASSEMBLY

Item	Part No.	Qty	Description	Notes
1	36326	1	Assembly, priming chamber	<a href="#">Page 38</a>
2	10000037750	1	Gasket, priming chamber - lower	
3	10000034028	1	Foam, suction barrier	
4	10000033020	2	Plate, barrier	
5	10000026910	2	Weldment, spool	
6	41155	4	Gasket, 4 in. full face	
7	10000037704	1	Spool, RP 4 x 4 fab, mini	
8	10000026859	1	Bracket, valve support	
9	52094	1	Valve, check	
10	10000033556	1	Volute, 4NNT w/clean out	
11	10000033504	1	Gasket,	
12	52119	1	Back Plate	
13	52126	1	Seal, 1622S RP	
14	10000033713	1	Guard, left	
15	52135	1	Bracket, backplate, 4NNT	
16	10000037686	1	V-ring	
17	N/A	1	Assembly, bearing frame	<a href="#">Page 36</a>
18	10000037686	1	Seal, lip	
19	10000037751	1	Seal, lip - 1.75 x 2.50 x .375	
20	10000033669	1	Guard, left	
21	10000037742	1	Impeller, 4NNT w/back vanes	
22	10000037724	1	Washer, impeller, 4NNT	
23	52817	1	Lock screw, .50NC x 1.50 socket head	
24	10000037713	1	Ring, wear - 4NNT (open)	
25	10000033730	1	Bracket, reservoir	
26	52049	1	Reservoir, run-dry w/cap	
27	52159	2	Hose, .38 ID	
28	52018	1	Gasket, clean out	
29	52017	1	Cover, clean out	

# LIFT SUPPORT ASSEMBLY



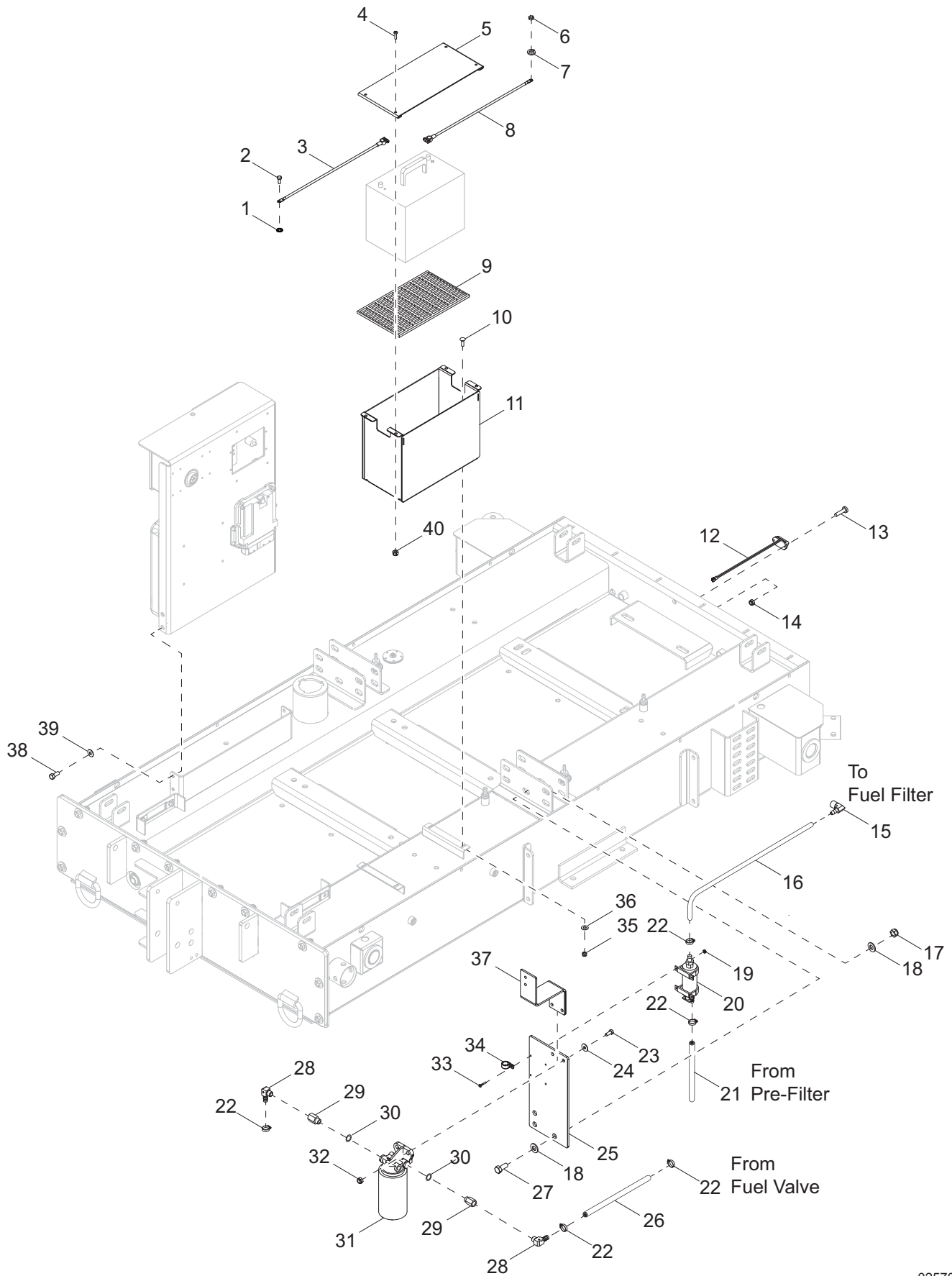
02159



## LIFT SUPPORT ASSEMBLY

Item	Part No.	Qty	Description	Notes
1	31688B	1	Weldment, radiator guard RH	
2	42775	8	Screw, .625-11 x 4.50 hex, G5	
3	63265	16	Washer, .625 flat 1.312/.07-.13	
4	31682B	2	Tube, lift	
5	60240	4	Nut, .625-11 nylock, G5	
6	31686B	1	Weldment, lift support	
7	60376	4	Screw, .500-13 x 4.50 hex, G5	
8	60309	20	Washer, .500 flat 1.060/.090	
9	60195	4	Rivet, .188 dia. x .375 to .500 grip	
10	62221	10	Nut, .500-13 nylock, G5	
11	15627	6	Clamp, tubing - .625 heavy-duty	
12	60390	6	Screw, .500-13 x 3.50 hex, G5	
13	14216	2	Clamp, hose - SAE 004 (.21-.62) mini	
14	50343	3.16 ft	Hose, .312ID x .562OD, 60PSI	each side
15	36322B	1	Weldment, radiator guard LH	
16	31690B	1	Weldment, radiator guard, front	

# FUEL TANK / TRAILER ASSEMBLY (3 OF 3)

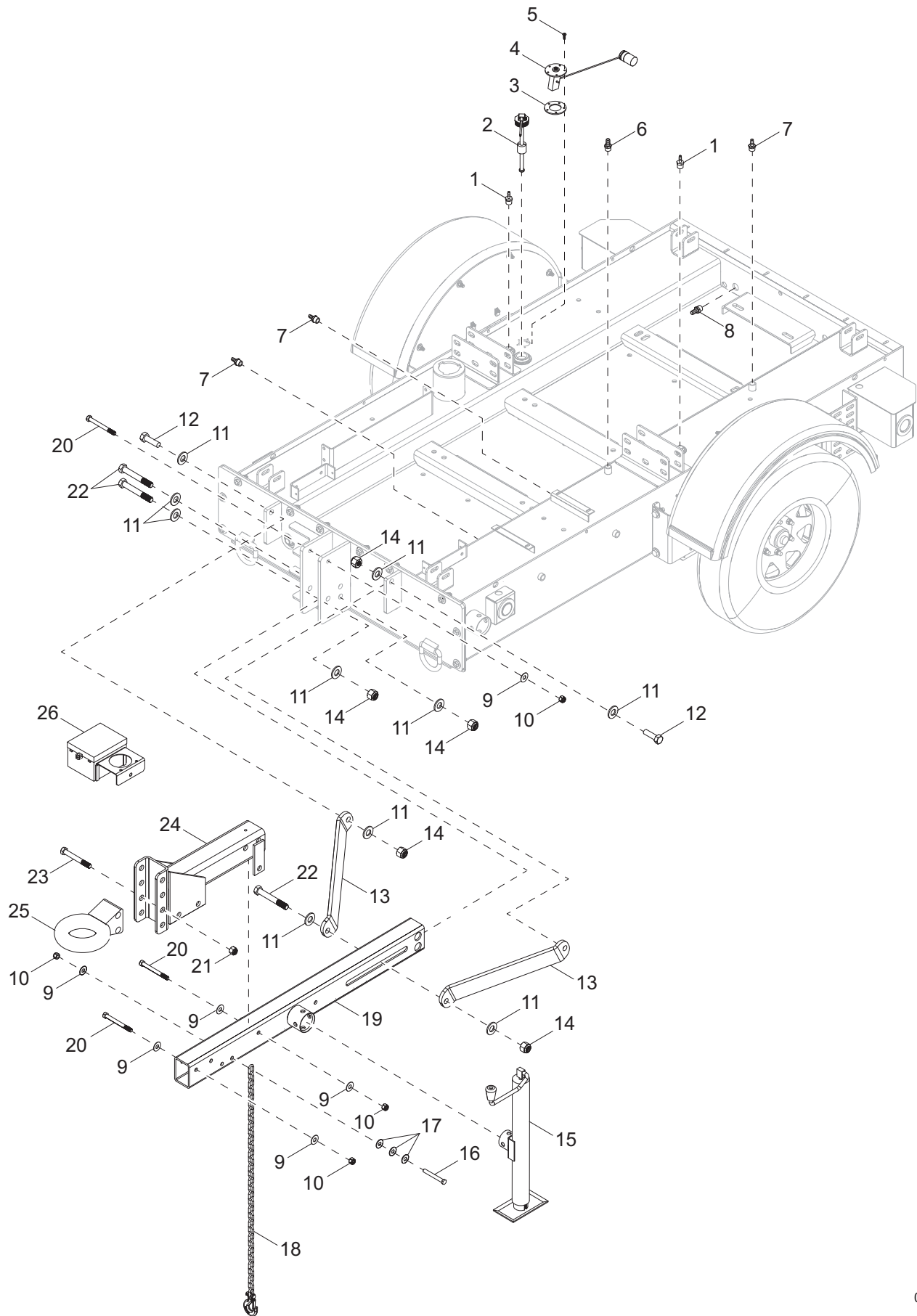


02570

## FUEL TANK / TRAILER ASSEMBLY (3 OF 3)

Item	Part No.	Qty	Description	Notes
1	60369	1	Washer, M12 external star	
2	60019	1	Screw, M12-1.75 x 20 serrated flange hex, G8.8	
3	31625	1	Cable, battery - 46.0 in, 2GA black post/.500 lug	
4	60393	4	Screw, .250-20 x 1.0 hex, G5	
5	52976B	1	Cover, battery box	
6	60032	1	Nut, M8-1.25 hex, G8.8	
7	60271	1	Washer, .312 split lock	
8	24777	1	Cable, batter - 54.0 in, 2GA red w/lead -.375 lug	
9	41185	1	Pad, battery - 6.0 x 10.0 black	
10	61066	4	Screw, .312-18 x 1.0 carriage, SS	
11	52975B	1	Box, battery	
12	36879	1	Light, license plate	
13	60244	2	Screw, 8-32 x .750 pan Phillips, G2	
14	60270	2	Nut, 8-32 nylock, G6	
15	62145	1	Fitting, 90° - .375MNPT x .375 barb, brass	
16	51021	1.5 ft	Hose, fuel - .375 ID, 125 PSI	
17	60240	3	Nut, .625-11 nylock, G5	
18	63265	6	Washer, .625 flat 1.312/.07-.13	
19	60061	4	Nut, 10-32 nylock	
20	31451	1	Pump, fuel	
21	51022	1.5 ft	Hose, fuel - .500 ID, 125 PSI	
22	19453	8	Clamp, hose - SAE006 (.37-.87)	
23	60139	2	Screw, .375-16 nylock, G5	
24	60698	2	Washer, .375 flat .875/.040, SS	
25	52960B	1	Bracket, fuel filter/pump	
26	51022	2.6 ft	Hose, fuel - .500ID, 125 PSI	
27	61069	3	Screw, .625-11 x 1.750 hex, G5	
28	62108	2	Fitting, 90° - .375MNPT x .500 barb, brass	
29	33146	2	Fitting, strt - .375FNPT x M16-1.5 male	
30	63233	2	Seal, M16	
31	52217	1	Pre-filter, fuel	
32	60358	2	Nut, .375-16 nylock, G5	
33	60397	4	Screw, 10-32 x 1.0 pan Phillips, G2	
34	60649	1	Clamp, tubing .750 heavy duty	
35	60303	4	Nut, .312-18 nylock, G2	
36	60119	4	Washer, .312 flat .875/.070	
37	10000026832	1	Bracket, Quickfit oil	
38	60205	4	Screw, .375-16 x 1.0 hex, G5	
39	60386	4	Washer, .375 flat .993/.064	
40	60144	4	Nut, .250-20 nylock, G5	

# FUEL TANK / TRAILER ASSEMBLY (2 OF 3)

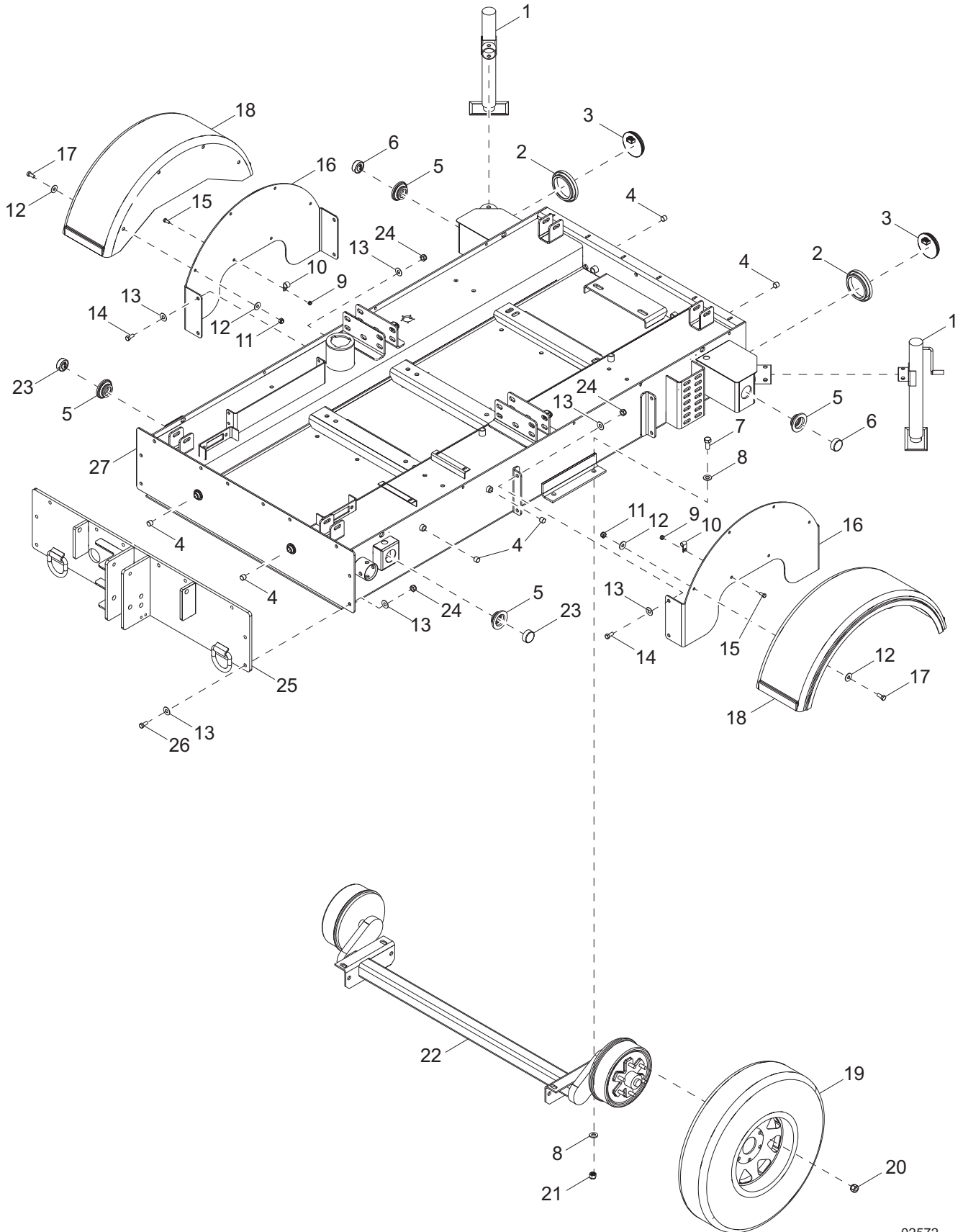


02571

## FUEL TANK / TRAILER ASSEMBLY (2 OF 3)

Item	Part No.	Qty	Description	Notes
1	60999	2	Fitting, strt - .500MNPT x .312 barb, brass	
2	10000011592	1	Sender, fuel	
3	22323	1	Gasket, fuel sending unit	
4	20571	1	Fuel sending unit	
5	60156	5	Screw, M%-0.80 x 16 pan Phillips, G4.8	
6	40728	1	Fitting, strt - .500MNPT x .500 barb, brass	
7	23816	3	Fitting, strt - .500MNPT x .375 barb, brass	
8	60502	2	Fitting, strt - .500MNPT x .625 barb, brass	
9	60309	26	Washer, .500 flat 1.060/.090	
10	62221	12	Nut, .500-13 nylock, G5	
11	60527	12	Washer, .750 flat 1.50/.125	
12	60846	2	Screw, .750-10 x 2.50 hex, G5	
13	31524B	2	Support, tongue	
14	60584	6	Nut, .750-10 nylock, G5	
15	13051	1	Assembly, 2000 lb top wind jack - tube mount	
16	60376	2	Screw, .500-13 x 4.50 hex, G5	
17	60416	10	Washer, .500 flat 1.375/.090, SS	
18	23367	2	Chain, safety - 7,800 lbs rated	
19	53545B	1	Weldment, tongue	
20	61099	3	Screw, .500-15 x 5.0 hex, G8	
21	60240	4	Nut, .625-11 nylock, G5	
22	53157	4	Screw, .750-10 x 5.0 hex, G8	
23	60239	4	Screw, .625-11 x 5.0 standard hex, G5	
24	19379	1	Weldment, hitch 4 position - electric	
25	19335	1	Coupler, Lunette ring 3.00	
26	19417	1	Breakaway kit	

# FUEL TANK / TRAILER ASSEMBLY (1 OF 3)

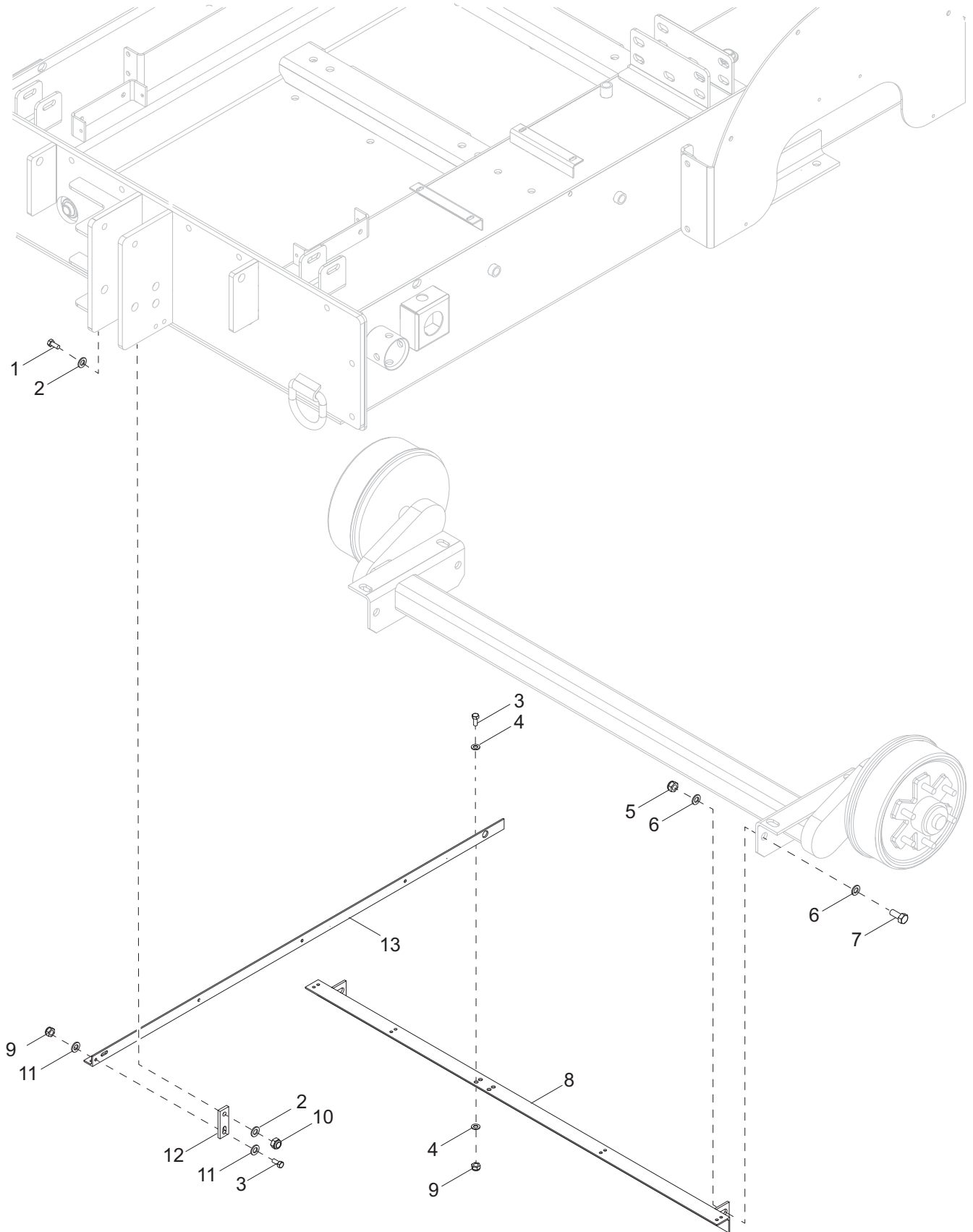


02572

## FUEL TANK / TRAILER ASSEMBLY (1 OF 3)

Item	Part No.	Qty	Description	Notes
1	10000029545	2	Jack, side wind, 2000 lb - tube mount	
2	10221	2	Grommet, rear light 4.50 - rubber	
3	66701	2	Light, stop/tail/turn, RD4.0 - LED, 12V	
4	18394	6	Fitting, plug - .500NPT x internal hex, steel	
5	66394	4	Grommet, sealed beam light 2.0 - rubber	
6	66703	2	Light, clearance 2.0, red - LED	
7	61069	4	Screw, .625-11 x 1.750 hex, G5	
8	60180	8	Washer, .625 flat 1.750/.10-.16, USS	
9	60144	4	Nut, .250-20 nylock, G5	
10	15626	4	Clamp, tubing - .375 light duty	
11	60358	8	Nut, .375-16 nylock, G5	
12	60386	16	Washer, .375 flat .993/.064	
13	60309	36	Washer, .500 flat 1.060/.090	
14	60388	8	Screw, .500-13 x 1.50 hex, G5	
15	60684	4	Screw, .250-20 x .875 hex, SS	
16	52951B	2	Bracket, fender mounting	
17	60352	8	Screw, .375-16 x 1.250 hex, G5	
18	11381	2	Fender, plastic	
19	18377B	2	Wheel, ST225/75R15, 2540 lb - load D, black	
20	60096	12	Nut, .500-20 lug, G5	
21	60240	4	Nut, .625-11 nylock, G5	
22	54304	1	Axle, 6000 lb Torflex - electric brake	
23	66702	2	Light, clearance 2.0, amber - LED	
24	62221	18	Nut, .500-13 x 1.50 hex, G5	
25	31695B	1	Weldment, tongue support	
26	60484	10	Screw, .500-13 x 2.0 hex, G5	
27	31670B	1	Weldment, chassis/fuel tank	
--	54017	1	Harness, trailer lights	
--	60281	1	Screw, .250-20 x .750 hex, G5	use with 54017
--	60144	1	Nut, .250-20 nylock, G5	use with 54017
--	60747	1	Washer .375 internal star	use with 54017
--	65465	1	Adapter, trailer wiring, flat 4 to round 7 blade	
--	67856	1	Harness, trailer extension assembly	

# TRAILER SUPPORTS



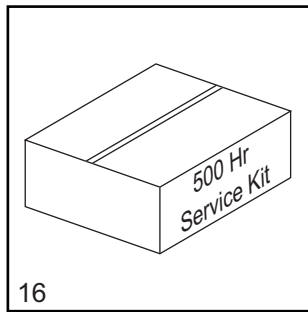
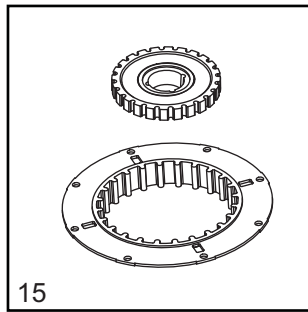
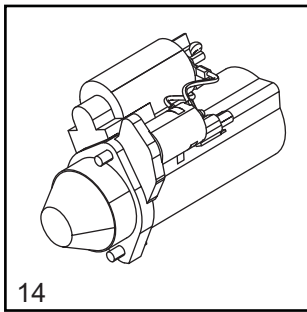
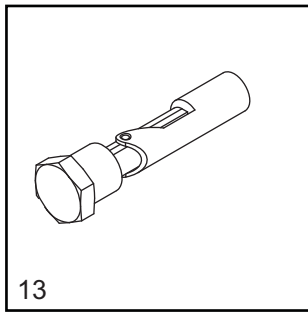
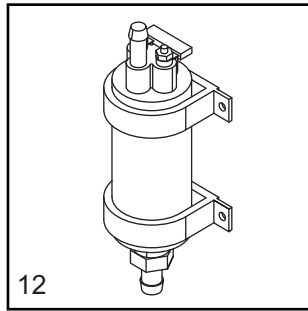
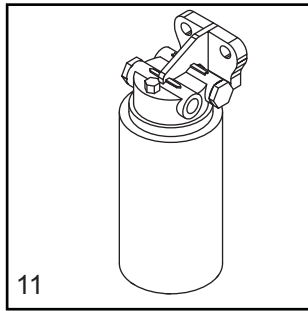
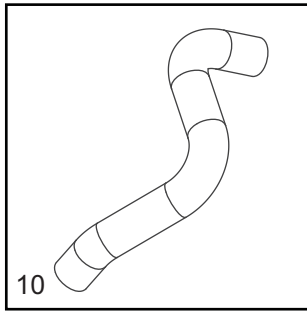
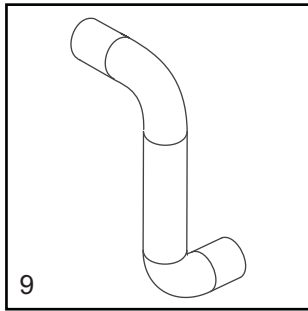
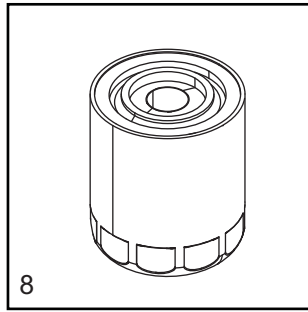
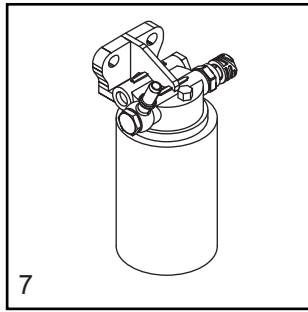
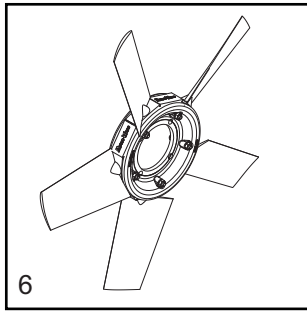
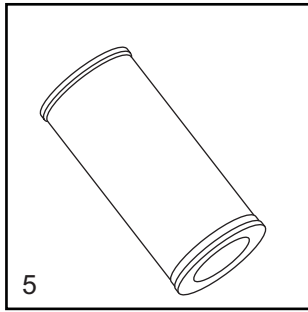
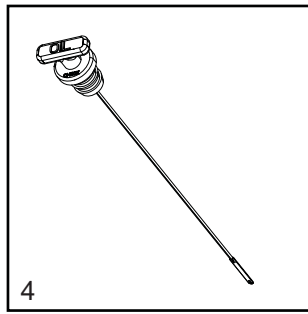
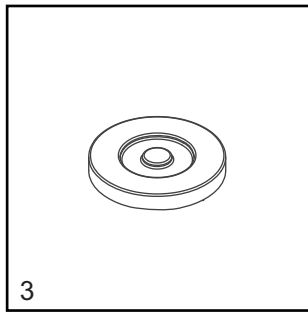
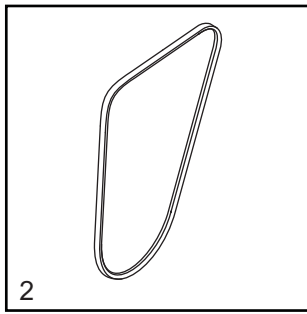
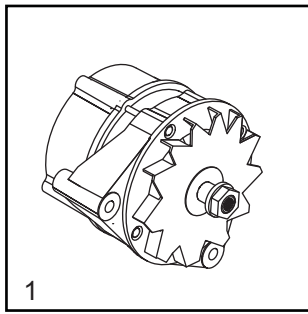
02573



## TRAILER SUPPORTS

Item	Part No.	Qty	Description	Notes
1	60831	1	Screw, .375-16 x 1.50 hex, SS	
2	60698	2	Washer, .375 flat .875/.040, SS	
3	60684	2	Screw, .250-20 x .875 hex, SS	
4	60340	2	Washer, .312 flat .875/.040, SS	
5	62221	2	Nut, .500-13 nylock, G5	
6	60416	4	Washer, .500 flat .375/.090	
7	61103	2	Screw, .500-13 x 1.750 serrated flange	
8	54107B	1	Weldment, brake line support - axle end	
9	60144	1	Nut, .250-20 nylock, G5	
10	60358	1	Nut, .375-16 nylock, G5	
11	60166	2	Washer, M8 flat	
12	54103B	1	Bracket, brake line support	
13	54105B	1	Angle, center brake line support	
--	15626	2	Clamp, tubing - .375 light duty	
--	60231	2	Rivet, .188 dia x .375 to .500 grip	

# RECOMMENDED SPARE PARTS - ENGINE AND SERVICE KITS



## RECOMMENDED SPARE PARTS - ENGINE AND SERVICE KITS

---

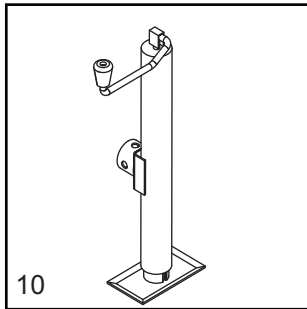
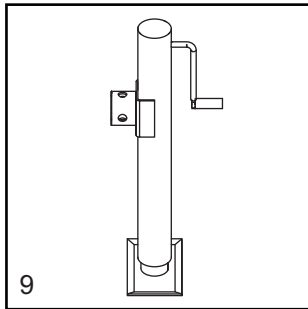
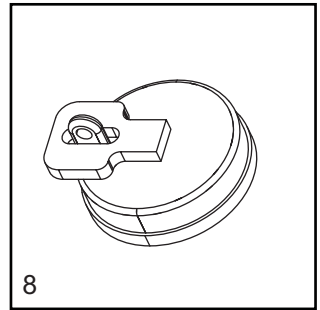
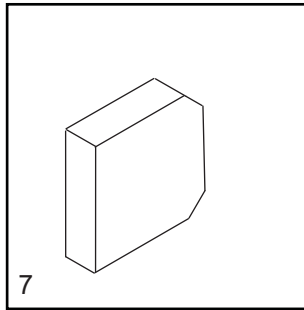
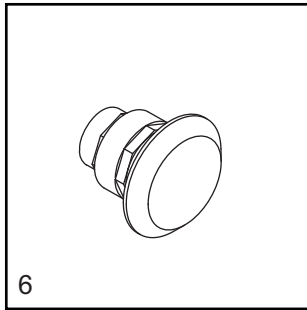
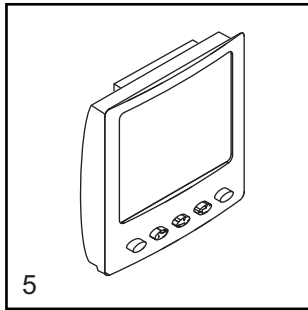
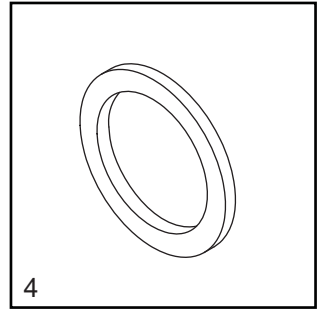
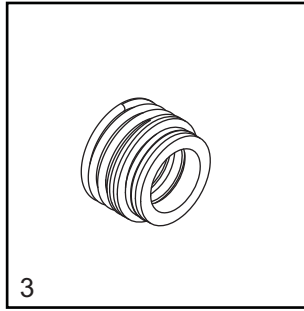
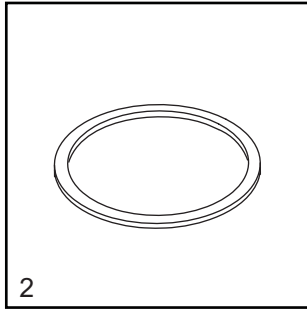
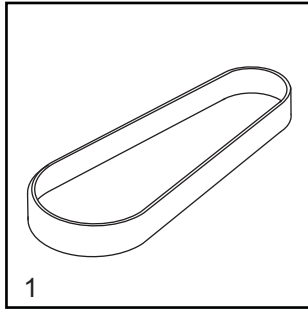
### ENGINE

1. Alternator, engine.....	52214
2. Belt, fan .....	52213
3. Cap, radiator- 16PSI.....	39850
4. Dipstick, .....	52215
5. Element, air filter .....	22874
6. Fan, pusher .....	31410
7. Filter, fuel.....	52217
8. Filter, oil .....	52212
9. Hose, radiator - lower .....	31440
10. Hose, radiator - upper.....	31439
11. Pre-Filter, fuel.....	52216
12. Pump, fuel .....	31451
13. Sensor, low coolant .....	68206
14. Starter, engine .....	52219

### SERVICE KITS

15. Coupling kit.....	A0001580515
Includes: Flywheel Coupling Ring, Coupling driver (rubber)	
15. 500 hour kit.....	10000035833
Includes: Air Filter 22874, Engine Belt 52213, Primary Fuel Filter Element 52217, Pre-Filter 52216, and Oil Filter 52212	

# RECOMMENDED SPARE PARTS - ELECTRICAL AND TRAILER



## RECOMMENDED SPARE PARTS - ELECTRICAL AND TRAILER

---

### PUMP

1. Belt, pump .....	63379
2. Vacuum Pump .....	63372
3. Impeller .....	10000037742
4. Mechanical seal .....	52126
5. Wear plate .....	10000037713

### ELECTRICAL

6. Controller, LOFA 750 .....	Call
7. E-stop switch .....	65470
8. E-stop contactor NO/NO .....	65584

### TRAILER

9.. Cap, fuel fill .....	23707
10. Jack, side wind (rear) .....	10000029545
11. Jack, top wind (tongue).....	13051

**Note:** To order replacement controller, contact Generac Mobile Products with unit serial number





Part No. 10000026888 Rev. C 06/16/2021

©2021 Generac Mobile Products, LLC  
All rights reserved.

Specifications are subject to change without notice.  
No reproduction allowed in any form without prior written consent  
from Generac Mobile Products, LLC.

**GENERAC** | **MOBILE**

Generac Mobile Products, LLC  
215 Power Drive, Berlin, WI 54923  
[GeneracMobileProducts.com](http://GeneracMobileProducts.com) | 800-926-9768 | 920-361-4442